

TriTech

MADE IN THE U.S.A.

T5

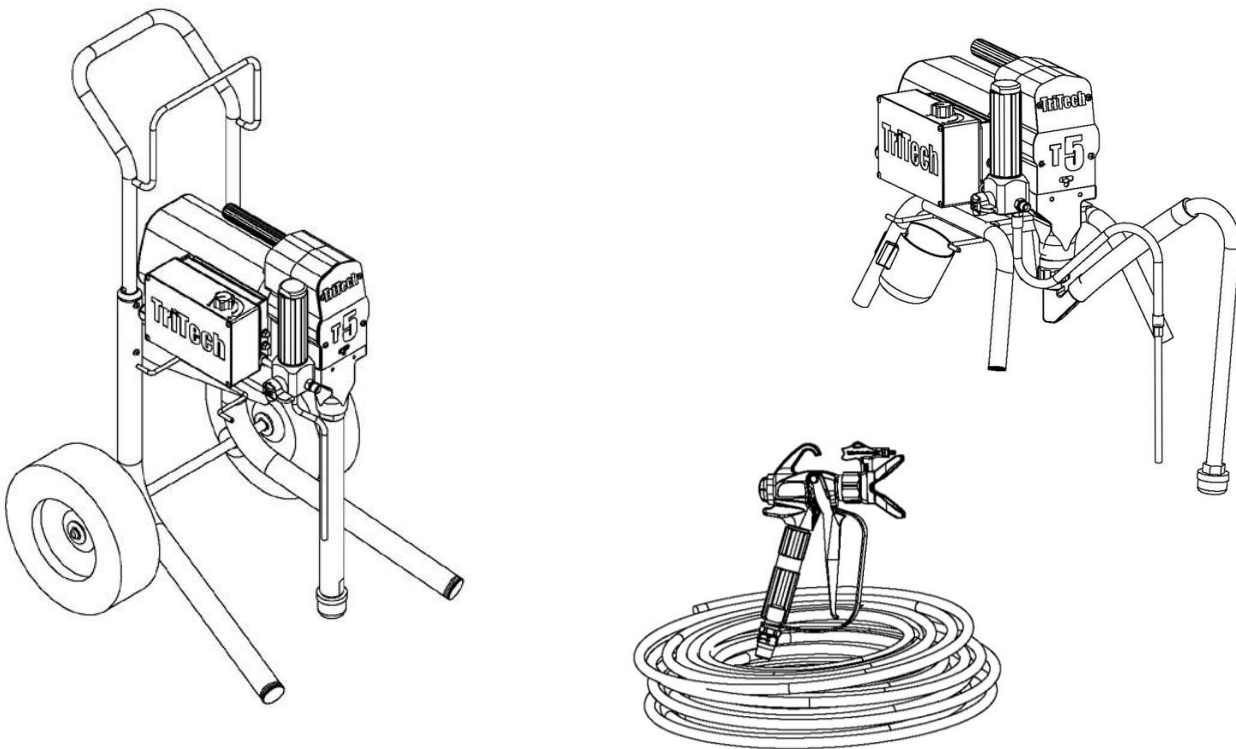
302-115

PROFESSIONAL AIRLESS SPRAYER

MAXIMUM WORKING PRESSURE 3300PSI 227BAR 22.7 MPa

VOLTS	CYCLES	AMPS	PHASE
110V	50/60	12	SINGLE
220V	50/60	6	SINGLE

FOR THE APPLICATION OF ARCHITECTURAL PAINTS AND COATINGS

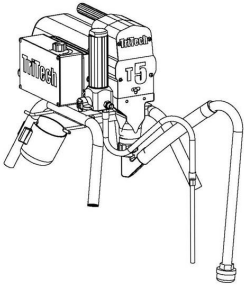


Intertek

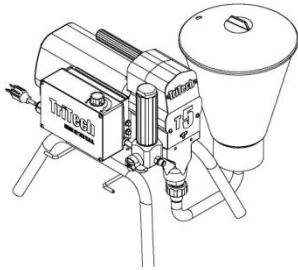
4009474
CONFORMS TO UL UL1450
CERTIFIED TO CSA STANDARDS C22.2 NO. 68



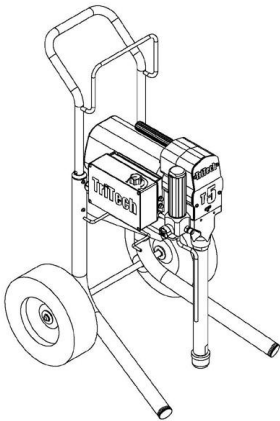
!! SAFETY AND OPERATING INSTRUCTIONS INSIDE !! Read all warnings and safe operating information inside. SAVE THIS MANUAL FOR FUTURE REFERENCE



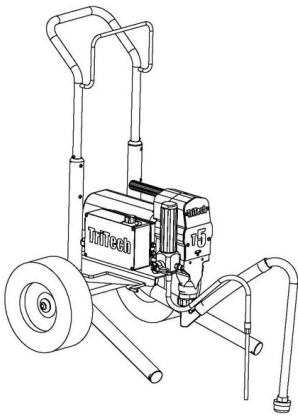
600-800	T5 STAND COMPLETE 120V
600-801	T5 STAND PUMP ONLY 120V
600-810	T5 STAND COMPLETE 240V
600-811	T5 STAND PUMP ONLY 240V



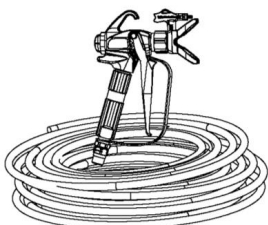
600-802	T5 HOPPER COMPLETE 120V
600-803	T5 HOPPER PUMP ONLY 120V
600-812	T5 HOPPER COMPLETE 240V
600-813	T5 HOPPER PUMP ONLY 240V



600-804	T5 HIGH CART COMPLETE 120V
600-805	T5 HIGH CART PUMP ONLY 120V
600-814	T5 HIGH CART COMPLETE 240V
600-815	T5 HIGH CART PUMP ONLY 240V



600-806	T5 LOW CART COMPLETE 120V
600-807	T5 LOW CART PUMP ONLY 120V
600-816	T5 LOW CART COMPLETE 240V
600-817	T5 LOW CART PUMP ONLY 240V



503-150	T360 AIRLESS SPRAY GUN
200-517	T93R AIRLESS TIP
200-999	T93R AIRLESS GUARD
400-114	50' 1/4" AIRLESS HOSE



WEEE Compliance



Statement

The mark shown to the right is in compliance with the Waste Electrical and Electronic Equipment Directive 2002/96/EC (WEEE). The mark indicates the requirement NOT to dispose of the equipment as unsorted municipal waste, but use the return and collection systems according to local law. Users should contact their supplier and check the terms and conditions of the purchase contract. When purchased directly from TriTech Industries, or a TriTech Industries Distributor you may contact technical support for disposal arrangements.

RoHS Compliance Statement

TriTech Industries products are designed to meet Reduction of Hazardous Substance Directive 2011/65/EU 8June2011, the product manufactured by TriTech Industries do not contain materials that exceed thresholds for cadmium, mercury, hexavalent chromium, Polybrominated diphenyl ethers (PBDEs) or other regulated substances.

Safety Compliance Statement

TriTech Industries product are certified meeting UL 1450 Issued: 2010/05/05 Ed: 4 Rev: 2013/11/01 Motor-Operated Air Compressors, Vacuum Pumps, & Painting Equipment and CSA C22.2#68 Issued: 2009/09/01 Ed: 7 Motor-Operated Appliances (Household and Commercial)-General Instruction No 1 : 2010/02/01 - General Instruction No. 2: 2010/09/28. TriTech Industries products are designed to conform to EN 55014-1 *Issue:2006/12/01 Electromagnetic compatibility Requirements for electric tools and similar apparatus*, EN 55014-2 *Issued:2001/12/01 EMC - Requirements for Electric Tools and Similar Apparatus*, and European Union Low Voltage Directive (LVD) 2006/95/EC

WARNINGS AND START UP PROCEEDURE

WARNINGS

Below are general warnings related to the use and maintenance, safe grounding and repair of the TriTech airless paint sprayers. Additional warnings are found throughout this manual where applicable. Symbols appearing in the manual refer to these warnings. Refer back to these pages for the symbol's description of the specific hazard.

FIRE AND EXPLOSION HAZARD

Flammable fumes, such as solvent and paint fumes, in work area can ignite or explode. To help prevent fire and explosion:

- Use equipment only in well ventilated area.
- Eliminate all ignition sources; such as pilot lights, cigarettes, portable electric lamps, and plastic drop cloths which may present a potential static arc.
- Sprayer generates sparks. When flammable liquid is used in or near the sprayer or for flushing or cleaning, keep sprayer at least 20 feet (6 m) away from explosive vapors.
- Keep work area free of debris, including solvent, rags and gasoline.
- Do not plug or unplug power cords or turn lights on or off when flammable fumes are present.
- Ground equipment and conductive objects in work area. Refer to the Grounding instructions.
- If there is static sparking or you feel a shock, stop use immediately. Do not use equipment until you identify and correct the problem.
- Keep a fire extinguisher in the work area.

ELECTRIC SHOCK HAZARD

Improper grounding, setup, or usage of the system can cause electric shock.

- Turn off unit and unplug power cord before servicing equipment.
 - Use only 3-wire extension cords and plug into only grounded electrical outlets.
 - Ensure ground prongs are intact on sprayer's power cord and extension cords.
- **CAUTION:** To reduce the risk of electrical shock, do not expose to rain. Store indoors.

SKIN INJECTION HAZARD

High-pressure fluid from tip, gun, hose leaks, or ruptured components will pierce skin. This may look like just a cut, but it is a serious injury that can result in amputation. Get immediate surgical treatment.

- Do not point gun at anyone or at any part of the body.
- Do not put your hand over the spray tip. Use only spray tip specified by TriTech.
- Do not stop or deflect leaks with your hand or body, glove, or rag.
- Engage trigger lock when not spraying.
- Follow Pressure Relief Procedure in this manual, when you stop spraying and before cleaning, checking or servicing equipment.

EQUIPMENT MISUSE HAZARD

IMPORTANT SAFETY INSTRUCTIONS

Misuse can cause death or serious injury.

- Do not exceed the maximum working pressure or temperature rating of the lowest rated system component. Read Technical Data in all equipment manuals. Use only spray tip specified by TriTech.
- Use fluids and solvents that are compatible with equipment wetted parts. Read Technical Data in all equipment manuals. Read fluid and solvent manufacturer's warnings. For complete information about your material, request MSDS from your coatings supplier TriLube MSDS are supplied with this unit.
- Check equipment daily. Repair or replace worn or damaged parts immediately with genuine TriTech replacement parts only. Use only spray tip specified by TriTech.
- Do not alter or modify equipment.
- Use equipment only for its intended purpose. Call TriTech customer service or your TriTech distributor for information.
- Route hoses and cables away from traffic areas, sharp edges, moving parts, and hot surfaces. If the spray hose is required to be replaced, replace with identical hose supplied with the sprayer.
- Do not kink or over bend hoses. Do not use the hose as a strength member to pull or lift the equipment.
- Comply with all applicable safety regulations.
- Keep children and animals away from work area.

- Do not operate the unit when fatigued or under the influence of alcohol or drugs. Stay alert and watch what you are doing.
- Know how to stop the unit and bleed pressure quickly. Be familiar with controls.
- Do not overreach or stand on an unstable support. Keep effective footing and balance at all times.

A PRESSURIZED ALUMINUM PARTS HAZARD

Do not use 1,1,1-trichloroethane, methylene chloride, other halogenated hydrocarbon solvents or fluids containing such solvents in pressurized aluminum equipment. Such use can cause serious chemical reaction and equipment rupture, and result in death, serious injury, and property damage.

TOXIC FLUID OR FUMES HAZARD

Toxic fluids or fumes can cause serious injury or death if splashed in the eyes or on skin, inhaled, or swallowed.

- Read all MSDS's to know the specific hazards of the fluids you are using.
- Store hazardous fluid in approved containers, and dispose of it according to applicable guidelines.

PERSONAL PROTECTIVE EQUIPMENT

You must wear appropriate protective equipment when operating, servicing, or when in the operating area of the equipment to help protect you from serious injury, including eye injury, inhalation of toxic fumes, burns, and hearing loss. This protective equipment includes but is not limited to;

- Protective eye wear
- Clothing and respirator as recommended by the fluid and solvent manufacturer
- Gloves
- Hearing protection

GROUNDING:

The sprayer must be grounded. Grounding reduces the risk of static and electric shock by providing an escape wire for the electrical current due to static build up or in the event of a short circuit.

- The sprayer power cord includes a grounding wire with an appropriate grounding contact.
- The plug must be plugged into an outlet that is properly installed and grounded in accordance with all local codes and ordinances.
- Do not modify plug. If it will not fit in outlet have grounded outlet installed by a qualified electrician. Do not use an adapter.

Use only the correct pressure rated airless hose with static ground to reduce the risk of static discharge or injection.

POWER REQUIREMENTS

- 110V units required 100-120VAC 50/60Hz, **12A**, 1 phase
- 220V units require 220-240 VAC, 50/60Hz, **6A**, 1 phase

EXTENSION CORDS

- Use an extension cord with ground contact only. Should an extension cord be necessary use a 3 wire, 12 AWG (2.5mm²) minimum. Do not exceed 300 ft 100 meters

PAILS

- Solvent and oil based fluids: follow local code. Use only conductive metal pails, place on a grounded surface such as concrete.
- Do not place pail on a nonconductive surface such as paper or cardboard which interrupt grounding continuity.
- To maintain grounding continuity when flushing or relieving pressure: hold metal part of the spray gun with the airless tip removed firmly to side of the grounded metal pail. Then trigger gun.

START UP

Throughout these instructions Model # T-5 and T-7 and the instructions for the T360 Airless spray gun are shown in all illustrations.

1. Connect TriTech airless hose to sprayer. Tighten securely.
2. Connect other end of the hose to gun.
3. Tighten securely.
4. Remove tip guard.
5. Check inlet strainer for clogs and debris.
6. Fill upper retainer with TriLube to prevent premature packing wear. Do this each time you spray.
7. Plug power supply cord into a properly grounded electrical outlet.
8. Turn pressure relief valve down.
9. Place siphon tube set in grounded metal container partially filled with flushing fluid. Use mineral spirits to flush storage oil.

10. Turn pressure control to lowest pressure. Turn pressure relief valve down.
11. Turn power ON.
12. Increase pressure to start motor and allow fluid to circulate through pressure relief tube for 15 seconds; then turn pressure down.
13. Turn pressure relief valve horizontal. Take spray gun trigger safety OFF.
14. Hold gun against grounded metal container. Trigger gun and increase fluid pressure to half way. Flush 1 minute. Inspect for leaks. If a leak occurs follow the pressure relief procedure then tighten fitting were leak occurred. Do not attempt to stop leaks with hand or rag! Repeat Start-up 1-5 again. If no leaks, proceed.
15. Place siphon tube in paint pail.
16. Trigger gun again into metal container until paint appears. Move gun to paint pail and trigger for 20 seconds. Set the safety to ON position. Assemble tip and guard. (See following section).

TIP AND GUARD ASSEMBLY

1. Insert metal seal and "black bellow" seal assembly by placing seals on the end of T93R Contractor tip and insert through guard. Line up seals by turning tip.
2. Insert Tip
3. Screw assembly onto gun. Tighten.

SPRAYING

1. Spray test pattern. Start with pressure turned to its lowest setting, then gradually increase pressure until you achieve a consistent spray pattern without heavy edges. Use smaller tip size if pressure adjustment cannot eliminate heavy edges.

2. Hold gun perpendicular 10-12 inches in of front surface. Spray back and forth overlapping by 20%. To prevent heavy spots, start moving the gun before pulling the trigger. When spraying, after releasing trigger continue to move gun.

CLEARING CLOGGED TIP

- a) Release trigger, put safety ON.
- b) Rotate T93R Tip.
- c) Take safety OFF
- d) Trigger gun to clear clog. Never point gun at your hand or in a rag!

RETRUN TO SPRAY

- a) Put Safety ON.
- b) Return Tip to spray position.
- c) Take safety OFF and continue spraying.

CLEAN UP

1. Turn power OFF and unplug sprayer.
2. Turn pressure to lowest setting. Trigger gun to relieve pressure.
3. Put pressure relief tube in pail. Turn pressure relief valve down.
4. Remove guard and T93R tip. Clean tip with soft bristle brush. **DO NOT STORE IN WATER.**
5. Remove siphon tube set from paint and place in flushing fluid. Use water for water base paint and mineral spirits for oil base paint.
6. Plug in sprayer. Turn power ON. Turn Pressure relief valve horizontal.
7. Hold gun against paint pail. Take trigger safety OFF. Trigger gun and increase pressure until flushing fluid appears.
8. Move gun to flushing pail, hold gun against pail. Trigger gun to thoroughly flush system. Release trigger and put trigger safety ON.
9. Turn pressure relief valve down and allow flushing fluid to circulate for 1 to 2 minutes to clean drain tube.
10. Raise siphon tube above flushing fluid and run sprayer for 15 to 30 seconds to drain fluid. Turn power off.
11. Close pressure relief valve. Trigger gun into flushing pail to purge fluid from hose.
12. Open pressure relief valve. Then close. Do not store with pressure relief valve open.
13. Remove filter from gun and sprayer, if installed. Clean and inspect. Reinstall filters.
14. If flushing with water, flush again with mineral spirits or TriTech Pump Cleaner to leave a protective coating to prevent freezing or corrosion.
15. Unplug power cord from outlet and wipe sprayer, hose and gun with rag soaked in water or mineral spirits.

Pressure Relief Procedure

The sprayer's pressure must be manually relieved to prevent sprayer from starting or spraying accidentally.

Fluid under high pressure can be injected through skin and cause serious injury. To reduce risk of injury from injection, splashing fluid, or moving parts,

Follow the **Pressure Relief Procedure** whenever you:

- are instructed to relieve pressure
- stop spraying
- check or service any system equipment
- install or clean spray tip

PROCEDURE

1. Turn pressure control knob counterclockwise to stop.
2. Turn sprayer off.
3. Do not unplug power supply cord.
4. Hold metal part of gun firmly to grounded metal container. Trigger gun to relieve pressure.
5. Lock gun safety latch.
6. Open pressure relief valve. Leave pressure relief valve open until ready to spray again.

NOTE: Do not store unit for extended periods of time with the Pressure Relief Valve open. Store the unit in the spray position.

NOTE: If suspected that spray tip or hose is completely clogged, or that pressure has not been fully relieved after following steps above,

SLOWLY loosen tip guard or hose end coupling to relieve pressure gradually, and then loosen completely. Clear tip or hose obstruction.

ELECTRICAL SHOCK WARNING

To reduce risk of serious injury, including electric shock, do not touch moving or electrical parts with fingers or tools while testing repair. Shut off and unplug sprayer when inspection is complete. Install all covers, guards, gaskets, screws and washers before operating sprayer.

PROBLEM	WHAT TO CHECK	REMEDY
Motor will not turn on.	<ol style="list-style-type: none"> 1. Unit not plugged in. 2. Pressure set too low 3. Circuit breaker open 	<ol style="list-style-type: none"> 1. Plug unit in. 2. Increase pressure 3. Check breaker and reset if needed.
Unit will not prime	<ol style="list-style-type: none"> 1. Inlet tube is loose 2. Inlet screen clogged 3. Inlet ball stuck 4. Outlet ball stuck 	<ol style="list-style-type: none"> 1. Check o-ring and tighten siphon hose 2. Check inlet screen clean or replace 3. Remove siphon hose assy and move inlet ball with pencil. 4. Remove siphon hose and foot valve and use pencil to move outlet ball.
Pump builds pressure but will not shut off	<ol style="list-style-type: none"> 1. Inlet ball or seat obstructed or chipped 2. Outlet ball or seat obstructed or chipped 3. Prime valve leaks. 	<ol style="list-style-type: none"> 1. Clean or replace if needed 2. Clean or replace if needed 3. Replace Prime Valve if coating leaks while under pressure.
Paint leaking front wet cup	<ol style="list-style-type: none"> 1. Inspect upper packing. 	<ol style="list-style-type: none"> 1. Replace if needed
Pump output is low	<ol style="list-style-type: none"> 1. Spray tip worn 2. Lower or Upper ball worn 3. Prime valve worn 	<ol style="list-style-type: none"> 1. Inspect tip by checking fan pattern width. If worn replace 2. Inspect lower and upper ball for damage. Replace if damaged or worn. 3. If prime valve leaks while spraying clean or replace.
<p>NOTE: Before performing any inspection or repair follow the pressure relief procedure. Never attempt to do any service or repair while the unit is plugged in or under pressure.</p>		

WAARSCHUWINGEN EN OPSTARTPROCEDURE

WAARSCHUWINGEN

Hieronder volgen algemene waarschuwingen voor gebruik, onderhoud, veilige aarding en reparatie van de TriTech luchtloze verfspuiten. Waar van toepassing zijn in deze handleiding aanvullende waarschuwingen opgenomen.

GEVAAR VAN BRAND EN ONTPLOFFING

Ontvlambare dampen zoals van oplosmiddelen en verf in de werkruimte kunnen ontbranden of ontploffen. Help brand en ontploffing voorkomen:

- Gebruik de apparatuur alleen in een goed geventileerde ruimte.
- Zorg dat er geen ontstekingsbronnen zijn, zoals waakvlammen, sigaretten, draagbare elektrische lampen en plastic afdekfolie. Deze kunnen statische elektriciteit veroorzaken.
- De verfspuit veroorzaakt vonken. Bij gebruik van ontvlambare vloeistof in of bij de verfspuit of voor spoeling of reiniging moet de verfspuit op een afstand van ten minste 6 m van explosieve dampen worden gehouden.
- Houd de werkruimte vrij van vuil, inclusief oplosmiddelen, poetslappen en benzine.
- Steek geen stekkers in stopcontacten en trek de stekkers er niet uit, en schakel het licht niet in of uit als er ontvlambare dampen zijn.
- Aard de apparatuur en geleidende objecten in de werkruimte. Raadpleeg de 'Aanwijzingen voor aarding'.
- Staak het gebruik meteen als u vonken van statische elektriciteit ziet of een schok voelt. Wacht met het gebruik van het apparaat totdat u de oorzaak van het probleem hebt vastgesteld en het probleem hebt verholpen.
- Zorg dat er een brandblusser aanwezig is in de werkruimte.

GEVAAR VAN ELEKTRISCHE SCHOKKEN

Als het systeem niet goed wordt geaard, geïnstalleerd of gebruikt kan dat elektrische schokken veroorzaken. • Zet het apparaat uit en trek de stekker uit het stopcontact voordat u onderhoudswerkzaamheden uitvoert aan de apparatuur.

- Gebruik uitsluitend 3-polige verlengsnoeren en geaarde stopcontacten.
- Zorg dat de aardpennen op de stekkers van het snoer van de verfspuit en het verlengsnoer in goede staat verkeren.
- Niet aan regen blootstellen. Binnen bewaren.

GEVAAR VAN INSPUITING ONDER DE HUID

Vloeistof onder hoge druk uit de tip, spuit, slanglekken of kapotte onderdelen kan de huid doorboren. Dit lijkt mogelijk op een snijwond, maar dit is ernstig letsel dat tot de noodzaak van amputatie kan leiden. Laat u meteen medisch behandelen.

- Richt de verfspuit niet op anderen of op lichaamsdelen.
- Houd uw hand nooit boven de spuittip.
- Probeer nooit een spuitlek te stoppen of af te buigen met uw handen of lichaam, of met handschoenen of een poetslap.
- Vergrendel de trekker als u niet spuit.
- Volg de procedure voor drukafvoer in deze handleiding als u klaar bent met spuiten en voordat u de apparatuur schoonmaakt, inspecteert of onderhoudt.

GEVAREN BIJ ONJUIST GEBRUIK VAN DE APPARATUUR

Onjuist gebruik kan ernstig of dodelijk letsel veroorzaken.

- Werk nooit met meer dan de maximale werkdruk of boven de nominale temperatuur van het als laagste geclassificeerde systeemonderdeel. Raadpleeg de technische gegevens in de handleidingen van alle apparatuur.
- Gebruik uitsluitend vloeistoffen en oplosmiddelen die geschikt zijn voor de apparatuuronderdelen die met vocht in aanraking komen. Raadpleeg de technische gegevens in de handleidingen van alle apparatuur. Lees de waarschuwingen die worden verstrekt door de fabrikanten van vloeistoffen en oplosmiddelen. Vraag voor complete informatie over uw materiaal een veiligheidsinformatieblad aan bij de coatingleverancier. De veiligheidsinformatiebladen voor TriTector en TriLube worden met dit apparaat meegeleverd.
- Inspecteer de apparatuur dagelijks. Repareer versleten of beschadigde onderdelen direct, of vervang ze door uitsluitend originele TriTech-onderdelen.
- De apparatuur mag niet worden aangepast of gewijzigd.
- Gebruik de apparatuur uitsluitend voor het beoogde doel. Bel de klantenservice van TriTech of uw TriTech-leverancier voor informatie.
- Leg slangen en kabels buiten bereik van druk verkeer, scherpe randen, bewegende onderdelen en hete oppervlakken.
- Knik slangen niet en buig ze niet te ver, en gebruik ze nooit om apparatuur te verslepen.

- Neem alle veiligheidsvoorschriften in acht.
- Houd kinderen en dieren weg uit de werkruimte.
- Gebruik het apparaat niet als u vermoeid bent, of onder invloed bent van alcohol of verdovende middelen.

GEVAREN IN VERBAND MET ONDERDELEN VAN PERSGEGOTEN ALUMINIUM

Bij apparatuur van persgegoten aluminium mogen geen 1,1,1-trichloorethaan, methyleenchloride, andere gehalogeneerde koolwaterstofoplosmiddelen of vloeistoffen met zulke oplosmiddelen worden gebruikt. Het gebruik hiervan kan namelijk leiden tot een ernstige chemische reactie en een breuk van de apparatuur, en ernstig of dodelijk letsel of materiële schade veroorzaken.

GEVAAR VAN GIFTIGE VLOEISTOFFEN OF DAMPEN

Giftige vloeistoffen of dampen kunnen ernstig of dodelijk letsel veroorzaken als ze in de ogen of op de huid spatten, of ingeademd of ingeslikt worden.

- Lees de veiligheidsinformatiebladen voor de gevaren die gelden voor de door u gebruikte vloeistoffen.
- Bewaar gevaarlijke vloeistoffen in goedgekeurde blikken, flessen enz. en voer ze af volgens de geldende richtlijnen.

PERSOONLIJKE BESCHERMINGSMIDDELEN

Draag bij gebruik, onderhoud en aanwezigheid in de werkruimte van de apparatuur passende persoonlijke beschermingsmiddelen om uzelf te beschermen tegen ernstig letsel, inclusief oogletsel, inademing van giftige dampen, brandwonden en gehoorverlies. Deze persoonlijke beschermingsmiddelen omvatten onder andere:

- Oogbescherming
- Kleding en adembescherming zoals aanbevolen door de fabrikant van de vloeistof/het oplosmiddel
- Handschoenen
- Gehoorbescherming

AARDING:

De verfspuit moet geaard worden. Aarden vermindert het risico op statische elektriciteit en elektrische schokken doordat de statische elektriciteit of de stroom in geval van kortsluiting een ontsnappingsweg heeft.

- Het snoer van de verfspuit heeft een aarddraad met een goed geaard contact.
- De stekker moet in een stopcontact worden gesloten dat correct is geplaatst en is geaard volgens de geldende voorschriften.
- De stekker mag niet worden aangepast. Als de stekker niet in het stopcontact past, laat dan een geaard stopcontact aanbrengen door een gediplomeerd installateur. Gebruik geen verloopstekker.

Gebruik uitsluitend een voor de juiste druk gecertificeerde luchtloze slang met statische aarding om het risico op ontlading van statische elektriciteit of inspuiting te beperken.

VOEDING

- Voor apparaten op 100–120 V is 100-120 V~ 50/60 Hz, 15 A, 1 fase vereist.
- Voor apparaten op 220 V is 220 V~, 50/60 Hz, 7,5 A, 1 fase vereist

VERLENGSNOEREN

- Gebruik uitsluitend verlengsnoeren met een aardverbinding.
- Gebruik indien nodig een verlengsnoer met 3 aders van ten minste 12 AWG (2,5 mm²). Het snoer mag niet langer zijn dan 100 meter.

EMMERS

- Oplosmiddelen en vloeistoffen op oliebasis: volg de plaatselijke voorschriften. Gebruik uitsluitend emmers van geleidende metalen, die worden geplaatst op een geaard oppervlak zoals beton.
- Zet de emmer niet op een niet-geleidende ondergrond zoals papier of karton: dan wordt de aardverbinding verbroken.
- Aardverbinding in stand houden tijdens doorspoelen of drukafvoer: houd een metalen onderdeel van het spuitpistool (waarbij de luchtloze tip is verwijderd) goed tegen de zijkant van de geaarde metalen emmer gedrukt. Vuur het pistool nu af.

PROCEDURE VOOR DRUKAFVOER

Draai de drukregelknop naar linksom te stoppen.

2. Zet de verfspuit uit.

3. Trek de stekker uit het stopcontact.

4. Houd een metalen onderdeel van het spuitpistool stevig tegen het geaarde metalen blik enz. aangedrukt. Vuur het spuitpistool af om de druk af te voeren.

5. Zet de vergrendeling van het spuitpistool vast.

6. Open de drukafvoerklap. Houd de drukafvoerklap open totdat u weer met spuiten begint.

NB Bewaar het apparaat niet langdurig met de drukafvoerklap open. Bewaar het apparaat in de spuitstand.

NB Als u vermoedt dat de spuittip of de slang helemaal is verstopt of dat de druk na het volgen van de bovenstaande stappen niet is verwijderd, draait u de tipbescherming of de koppeling op het slanguiteinde eerst **LANGZAAM** los om de druk geleidelijk af te voeren en daarna helemaal los. Verwijder vervolgens de verstopping in de tip of slang.

OPSTARTEN

In deze gebruiksinstructies worden model T-5 en T-7 ter illustratie gebruikt.

1. Sluit de TriTech luchtloze slang aan op de verfspuit. Goed aandraaien.
2. Sluit het andere uiteinde van de slang aan op het spuitpistool.
3. Goed aandraaien.
4. Verwijder de tipbescherming.
5. Inspecteer het inlaatfilter op eventuele verstopping en vuil.
6. Breng TriLube aan op de bovenste houder om voortijdige slijtage van de verpakking te voorkomen. Doe dit altijd voordat u met spuiten begint.
7. Steek de stekker van het snoer in een goed geaard stopcontact.
8. Draai de drukafvoerklep omlaag.
9. Plaats de hevelslangset in een geaard metalen blik enz. dat gedeeltelijk met spoelvloeistof is gevuld. Gebruik terpentijn om de opslagolie uit het systeem te spoelen.
10. Stel de drukregelaar in op de laagste druk. Draai de drukafvoerklep omlaag.
11. Schakel de stroom IN.
12. Verhoog de druk om de motor te starten en laat de vloeistof 15 seconden door de drukafvoerslang stromen; verlaag de druk.
13. Draai de drukafvoerklep horizontaal. Zet de vergrendeling van het spuitpistool op UIT.
14. Houd het spuitpistool tegen een geaarde metalen emmer enz. Druk de trekker in en verhoog de vloeistofdruk tot halverwege. Spoel 1 minuut lang door. Controleer op lekken. Als er een lek is, volgt u de procedure voor drukafvoer en draait u vervolgens de lekkende fitting goed aan. Stop lekken nooit met uw handen of een poetslap! Herhaal stap 1–5 voor het opstarten. Ga door als er geen lekken zijn.
15. Leg de hevelslang in de emmer met verf.
16. Druk de trekker van het in het blik gerichte spuitpistool opnieuw in totdat u verf ziet. Breng het spuitpistool naar de verfemmer en druk de trekker 20 seconden in. Zet de vergrendeling op AAN. Breng de tip en de bescherming aan. (Zie volgende onderdeel.)

TIP EN BESCHERMING AANBRENGEN

1. Breng de metalen afdichting en de 'zwarte balg' afdichting aan door ze op het uiteinde van de T93R Contractor-tip te plaatsen en via de bescherming in te brengen. Plaats de afdichtingen in een lijn door de tip te draaien.
2. Plaats de tip
3. Schroef het geheel op het spuitpistool. Goed aandraaien.

SPUITEN

1. Spuit een testpatroon. Begin met de druk in de laagste stand en verhoog de druk vervolgens totdat u een consistent spuitpatroon zonder dikke randen krijgt. Gebruik een kleinere tip als ondanks het afstellen van de druk geen dunnere randen kunt aanbrengen.
2. Houd het spuitpistool haaks op een afstand van 25–30 cm van de ondergrond. Beweeg het spuitpistool heen en weer en laat de banen met 20% overlappen. Begin het spuitpistool te bewegen voordat u de

trekker overhaalt om dikke verfplekken te voorkomen. Blijf het spuitpistool ook bewegen nadat u met spuiten bent gestopt en de trekker hebt losgelaten.

TIP ONTSTOPPEN

- a) Laat de trekker los en zet de vergrendeling op AAN.
- b) Draai de T93R-tip.
- c) Zet de vergrendeling op UIT.
- d) Haal de trekker over om de verstopping te verwijderen. Richt het spuitpistool nooit op uw hand of in een poetslap!

2. SPUITEN HERVATTEN

- a) Zet de vergrendeling op AAN.
- b) Draai de tip terug naar de spuitstand.
- c) Zet de vergrendeling op UIT en ga verder met spuiten.

SCHOONMAKEN

1. Schakel de stroom UIT en verwijder de stekker van de verfspuit uit het stopcontact.
2. Stel de druk in op de laagste stand. Vuur het spuitpistool af om de druk af te voeren.
3. Leg de drukafvoerslang in de emmer. Draai de drukafvoerklap omlaag.
4. Verwijder de bescherming en de T93R-tip. Maak de tip met een zachte borstel schoon. NIET IN WATER ONDERGEDOMPELD BEWAREN.
5. Haal de hevelslangset uit de verf en leg de set in de spoelvoeistof. Gebruik water voor verf op waterbasis en terpentijn voor verf op oliebasis.
6. Steek de stekker van de verfspuit in het stopcontact. Schakel de stroom IN. Draai de drukafvoerklap horizontaal.
7. Houd het spuitpistool tegen de verfemmer. Zet de vergrendeling van de trekker op UIT. Druk de trekker in en verhoog de druk totdat er spoelvoeistof verschijnt.
8. Breng het spuitpistool naar de emmer met spoelvoeistof en houd het tegen de emmer aan gedrukt. Vuur het spuitpistool af om het systeem grondig te spoelen. Laat de trekker los en zet de trekkevergrendeling op AAN.
9. Draai de drukafvoerklap omlaag en laat de spoelvoeistof 1–2 minuten doorspoelen om de afvoerslang schoon te maken.
10. Breng de hevelslang omhoog tot boven de spoelvoeistof en laat de verfspuit 15–30 seconden werken om alle voeistof af te voeren. Schakel de stroom UIT.

11. Sluit de drukafvoerklep. Vuur het spuitpistool af in de emmer met spoelvloeistof om alle vloeistof uit de slang te verwijderen.
12. Open de drukafvoerklep. Sluit de klep. Niet bewaren met geopende drukafvoerklep.
13. Haal de filters (als deze zijn aangebracht) van het spuitpistool en de spuit. Maak ze schoon en inspecteer ze. Plaats de filters terug .
14. Als u met water hebt gespoeld, spoelt u nu nogmaals met terpentine of TriTech Pump Cleaner (pompreinigingsmiddel) om een beschermlaag aan te brengen en bevrozing en roest te voorkomen.
15. Verwijder de stekker uit het stopcontact en neem de verfspuit, de slang en het spuitpistool af met een poetslap die u in water of terpentine hebt gedrenkt.

Procedure voor drukafvoer

De druk in de verfspuit moet met de hand worden verwijderd om te voorkomen dat de verfspuit per ongeluk opstart of begint te spuiten.

Vloeistof onder hoge druk kan onder de huid worden ingespoten en ernstig letsel veroorzaken.

Verminder het risico op letsel door injectie, spattende vloeistof of bewegende onderdelen:

Volg altijd de **Procedure voor drukafvoer** als u:

- de opdracht krijgt om de druk af te voeren;
- stopt met spuiten;
- systeemonderdelen inspecteert of repareert;
- een spuittip aanbrengt of schoonmaakt.

Draai de drukregelknop naar links om te stoppen.

2. Zet de verfspuit uit.

3. Trek de stekker uit het stopcontact.

4. Houd een metalen onderdeel van het spuitpistool stevig tegen het gearde metalen blik enz. aangedrukt. Vuur het spuitpistool af om de druk af te voeren.

5. Zet de vergrendeling van het spuitpistool vast.

6. Open de drukafvoerklep. Houd de drukafvoerklep open totdat u weer met spuiten begint.

NB Bewaar het apparaat niet langdurig met de drukafvoerklep open. Bewaar het apparaat in de spuitstand.

NB Als u vermoedt dat de spuittip of de slang helemaal is verstopt of dat de druk na het volgen van de bovenstaande stappen niet is verwijderd, draait u de tipbescherming of de koppeling op het slanguiteinde eerst **LANGZAAM** los om de druk geleidelijk af te voeren en daarna helemaal los. Verwijder vervolgens de verstopping in de tip of slang.

WAARSCHUWING VOOR ELEKTRISCHE SCHOKKEN

Beperk het risico op ernstig letsel inclusief elektrische schokken: raak bewegende of elektrische onderdelen niet aan met uw vingers of gereedschappen als u een gerepareerd apparaat test. Zet de verfspuit uit en trek de stekker uit het stopcontact als u klaar bent met de inspectie. Breng alle afdekkingen, beschermingen, pakkingen, schroeven en sluitringen aan voordat u de verfspuit inschakelt.

PROBLEEM	MOGELIJKE OORZAAK	OPLOSSING
Motor gaat niet aan.	<ol style="list-style-type: none"> 4. Stekker niet in stopcontact gestoken. 5. Druk te laag ingesteld. 6. Stroomverbreker open. 	<ol style="list-style-type: none"> 4. Stekker in stopcontact steken. 5. Druk verhogen. 6. Stroomverbreker controleren; zo nodig terugzetten.
Apparaat kan niet worden voorgevuld.	<ol style="list-style-type: none"> 5. Inlaatslang los. 6. Inlaatfilter verstopt. 7. Inlaatkogel blijft hangen. 8. Uitlaatkogel blijft hangen. 	<ol style="list-style-type: none"> 5. O-ring controleren en hevelslang aandraaien. 6. Inlaatfilter controleren; schoonmaken of vervangen. 7. Hevelslang verwijderen en inlaatkogel met potlood bewegen. 8. Hevelslang en behuizing inlaatklep verwijderen en uitlaatkogel met potlood bewegen.
Pomp bouwt druk op maar gaat niet uit.	<ol style="list-style-type: none"> 4. Inlaatkogel of -zitting verstopt of ingekeept. 5. Uitlaatkogel of -zitting verstopt of ingekeept. 6. Drukafvoerlekt. 	<ol style="list-style-type: none"> 4. Zo nodig schoonmaken of vervangen. 5. Zo nodig schoonmaken of vervangen. 6. Drukafvoerlekt vervangen als coating onder druk lekt.
Spuitspuit spuit bij indrukken van trekker.	<ol style="list-style-type: none"> 1. Tip of filter verstopt. 2. Kogel en zitting in spuitpistool versleten. 	<ol style="list-style-type: none"> 1. Filter en/of tip controleren en schoonmaken. Zo nodig vervangen. 2. Tip en bescherming verwijderen. Diffusor losschroeven. Trekker bij losschroeven ingedrukt houden. Zo nodig vervangen.
Verf lekt in smeereservoir voor.	<ol style="list-style-type: none"> 2. Bovenste pakking inspecteren. 	<ol style="list-style-type: none"> 4. Zo nodig vervangen.
Pompcapaciteit laag.	<ol style="list-style-type: none"> 4. Spuittip versleten. 5. Onderste of bovenste kogel versleten. 6. Drukafvoerlekt versleten. 	<ol style="list-style-type: none"> 2. Tip inspecteren door breedte waaierpatroon te meten. Vervangen indien versleten. 5. Onderste en bovenste kogel inspecteren. Vervangen indien beschadigd of versleten. 6. Als drukafvoerlekt tijdens spuiten: schoonmaken of vervangen.

NB Volg altijd de procedure voor drukafvoer voordat u met inspectie of reparaties begint. Probeer nooit inspecties of reparaties uit te voeren als de stekker van het apparaat in het stopcontact is gestoken of als er druk op het apparaat staat.

ADVERTENCIAS Y PROCEDIMIENTO DE PUESTA EN MARCHA

ADVERTENCIAS

A continuación se exponen advertencias generales relativas al uso y al mantenimiento, la conexión a tierra segura y la reparación de los pulverizadores sin aire de pintura TriTech. En otros puntos de este manual pueden encontrarse advertencias adicionales. Los símbolos que aparecen en el manual hacen referencia a estas advertencias. Consulte estas páginas para conocer la descripción del símbolo del peligro concreto.

RIESGO DE INCENDIO Y EXPLOSIÓN

Los gases inflamables presentes en el área de trabajo, como los del disolvente y de la pintura, pueden entrar en combustión o explotar. Para reducir la probabilidad de que se produzcan incendios y explosiones:

- Use el equipo únicamente en zonas bien ventiladas.
- Elimine todas las fuentes de ignición, como luces piloto, cigarrillos, luces portátiles y láminas de plástico que pudieran presentar un arco estático.
- El pulverizador genera chispas. Cuando se utilice líquido inflamable sobre el pulverizador o cerca de él para realizar tareas de limpieza o limpieza por descarga, mantenga el pulverizador a una distancia mínima de 6 m (20 pies) de los vapores explosivos.
- Mantenga la zona de trabajo libre de suciedad, incluido disolvente, trapos y gasolina.
- No enchufe ni desenchufe los cables de corriente, ni apague o encienda las luces en presencia de gases inflamables.
- Conecte a tierra el equipo y los objetos conductores del área de trabajo. Consulte las instrucciones de conexión a tierra.
- Si se producen chispas estáticas o recibe una descarga, deje de usar el aparato inmediatamente. No utilice el equipo hasta que no identifique y corrija el problema.
- Disponga de un extintor de incendios en el área de trabajo.

RIESGO DE DESCARGA ELÉCTRICA

Realizar de forma inadecuada la conexión a tierra, la configuración o el uso incorrecto del sistema pueden provocar descargas eléctricas.

- Apague la unidad y desenchufe el cable de corriente antes de realizar tareas de mantenimiento en el equipo.
- Utilice únicamente alargaderas de tres hilos, y enchufe la unidad solo a tomas de corriente eléctricas conectadas a tierra.
- Asegúrese de que los bornes de conexión a tierra estén intactos, tanto en el cable de corriente como en las alargaderas.

• **PRECAUCIÓN:** Para reducir el riesgo de descargas eléctricas, no exponga la unidad a la lluvia. Guarde la unidad en interior.

RIESGO DE INYECCIÓN CUTÁNEA

El fluido a alta presión procedente de la punta, de la pistola, de fugas de la manguera o de componentes con fracturas perforará la piel. En un principio podría parecer un simple corte, pero se trata de una lesión grave que puede provocar la amputación de miembros. Solicite tratamiento quirúrgico inmediato.

- No apunte con la pistola a nadie a ninguna parte del cuerpo.
- No coloque la mano sobre la punta de pulverización. Utilice únicamente la punta de pulverización especificada por TriTech.
- No detenga ni desvíe las fugas con la mano, con su cuerpo, con un guante ni con trapos.
- Active el bloqueo del gatillo cuando no esté pulverizando.
- Siga el procedimiento de descarga de presión de este manual cuando deje de pulverizar, y antes de limpiar, revisar o realizar tareas de servicio en el equipo.

RIESGO POR USO INADECUADO DEL EQUIPO

INSTRUCCIONES DE SEGURIDAD IMPORTANTES

El uso inadecuado puede provocar la muerte y lesiones graves.

- No supere la presión efectiva máxima ni la temperatura nominal del componente del sistema que presente la designación más baja. Lea los datos técnicos de todos los manuales de los equipos. Utilice únicamente la punta de pulverización especificada por TriTech.
- Utilice fluidos y disolventes compatibles con piezas humedecidas de equipos. Lea los datos técnicos de todos los manuales de los equipos. Lea las advertencias del fabricante del fluido y del disolvente. Si desea obtener información completa sobre su material, solicite las fichas de datos de seguridad a su proveedor de revestimiento. Con esta unidad se incluyen las fichas de datos de seguridad de TriLube.
- Revise el equipo a diario. Repare o cambie piezas gastadas o dañadas inmediatamente únicamente con piezas de repuesto de marca TriTech. Utilice únicamente la punta de pulverización especificada por TriTech.
- No modifique ni cambie el equipo. No deje el equipo desatendido.
- Utilice el equipo solo para el fin destinado. Llame al servicio de atención al cliente de TriTech o a su distribuidor TriTech para obtener más información.
- Disponga las mangueras y los cables alejados de las zonas de tráfico, bordes afilados, piezas móviles y superficies a alta temperatura. Si es necesario cambiar la manguera de pulverización, sustitúyala por una manguera idéntica a la entregada con el pulverizador.

- No curve ni doble en exceso las mangueras. No utilice la manguera como componente de fuerza para elevar el equipo o tirar de él.
- Cumpla todas las normativas de seguridad aplicables.
- Mantenga a los niños y a los animales lejos de la zona de trabajo.
- No utilice la unidad si está cansado o se encuentra bajo la influencia de alcohol o drogas. Esté alerta y controle las tareas que realiza.
- Debe saber cómo detener la unidad y descargar la presión rápidamente. Familiarícese con los controles.
- No intente llegar una distancia excesiva ni se coloque sobre un soporte inestable. Mantenga los pies bien asentados y guarde el equilibrio en todo momento.

RIESGO POR PIEZAS DE ALUMINIO A PRESIÓN

No utilice 1,1,1-tricloroetano, cloruro de metileno, otros disolventes hidrocarburos halogenados ni fluidos que contengan este tipo de disolventes en equipos de aluminio a presión. Este tipo de uso puede provocar reacciones químicas serias y roturas en el equipo, y causar la muerte, lesiones graves y daños materiales.

RIESGO DE FLUIDOS O GASES TÓXICOS

Los fluidos o gases tóxicos pueden provocar lesiones graves o la muerte si entran en contacto con los ojos o la piel, si se inhalan o se ingieren.

- Lea todas las hojas de datos de seguridad de materiales (HDSM) para conocer los riesgos específicos de los fluidos que está utilizando.
- Almacene el fluido peligroso en contenedores aprobados, y deshágase de él respetando los reglamentos pertinentes.

EQUIPO DE PROTECCIÓN PERSONAL

Deberá usar equipos de protección adecuados al utilizar, realizar tareas de mantenimiento o encontrarse dentro del área de funcionamiento del equipo para protegerse de lesiones graves, incluidas lesiones oculares, inhalación de gases tóxicos, quemaduras y pérdidas auditivas. Entre estos equipos de protección se incluyen, a título enunciativo pero no limitativo:

- Protección ocular
- Ropas y respirador siguiendo las recomendaciones del fabricante del fluido y el disolvente
- Guantes
- Protección auditiva

CONEXIÓN A TIERRA:

El pulverizador debe conectarse a tierra. La conexión a tierra reduce el riesgo de descargas estáticas y eléctricas, al proporcionar un hilo de escape para la corriente eléctrica generada por la acumulación estática o en caso de producirse un cortocircuito.

- El cable de corriente del pulverizador incluye un hilo de conexión a tierra con el contacto de conexión a tierra correspondiente.
- El enchufe debe enchufarse en una toma de corriente que se encuentre correctamente instalada y conectada a

tierra, respetando todos los códigos y ordenanzas locales.

- No modifique el enchufe. Si el enchufe no encaja en la toma de corriente, solicite a un electricista cualificado que instale una toma de corriente con conexión a tierra. No utilice adaptadores.

Para reducir el riesgo de descargas estáticas o inyección, utilice únicamente la manguera sin aire con la presión nominal correcta y conexión a tierra estática.

REQUISITOS DE ALIMENTACIÓN

- Las unidades de 110 V requieren 100-120 V de CA a 50/60 Hz, 15 A, monofase
- Las unidades de 220 V requieren 220-240 V de CA, 50/60 Hz, 7,5 A, monofase

ALARGADERAS

- Utilice únicamente alargaderas que incluyan contacto de conexión a tierra. Si necesita una alargadera, utilice una de 3 hilos 12 AWG (2,5 mm²) como mínimo. No supere los 100 metros (300 pies) de longitud

CUBOS

- Disolvente y fluidos con base aceite: siga el código local. Utilice únicamente cubos metálicos conductores colocados en una superficie conectada a tierra, por ejemplo hormigón.
- No coloque el cubo sobre una superficie no conductora como papel o cartulina, ya que interrumpirá la continuidad de la conexión a tierra.
- Para mantener la continuidad de conexión a tierra al realizar el lavado o la descarga de presión: sostenga la pieza metálica de la pistola de pulverización, con la punta sin aire retirada, firmemente sobre el lateral del cubo metálico conectado a tierra. A continuación, accione el gatillo.

PROCEDIMIENTO DE DESCARGA DE PRESIÓN

Gire el control giratorio de presión hacia la izquierda para detenerlo.

2. Apague el pulverizador.
3. Desenchufe el cable de suministro eléctrico.
4. Coloque con firmeza la parte metálica de la pistola sobre el contenedor metálico conectado a tierra. Accione el gatillo para descargar la presión.
5. Bloquee el cierre de seguridad de la pistola.
6. Abra la válvula de descarga de presión. Deje la válvula de descarga de presión abierta hasta que esté listo para pulverizar de nuevo.

NOTA: No guarde la unidad con la válvula de descarga de presión abierta durante periodos de tiempo prolongados. Guarde la unidad en la posición de pulverización.

NOTA: Si sospecha que la punta de pulverización o la manguera se encuentran completamente obstruidas, o que no se ha descargado toda la presión tras seguir los pasos indicados anteriormente,

Afloje **LENTAMENTE** el protector de la punta o el acoplamiento del extremo de la manguera para descargar la presión gradualmente, y a continuación aflójelo por completo. Posteriormente, limpie la obstrucción de la punta o la manguera.

PUESTA EN MARCHA

En estas instrucciones, el número de modelo T-5 y T-7 y las instrucciones de la pistola pulverizadora sin aire T360 se muestran en todas las ilustraciones.

1. Conecte la manguera sin aire TriTech al pulverizador. Apriete con firmeza.
2. Conecte el otro extremo de la manguera a la pistola.
3. Apriete con firmeza.
4. Retire el protector de la punta.
5. Revise el filtro de entrada en busca de obstrucciones y suciedad.
6. Aplique TriLube al retén superior para evitar un desgaste prematuro del empaquetado. Realice esta operación cada vez que pulverice.

7. Enchufe el cable de suministro eléctrico a una toma de corriente eléctrica adecuadamente conectada a tierra.
8. Baje la válvula de descarga de presión.
9. Coloque el conjunto de tubo de sifón en el contenedor metálico conectado a tierra parcialmente lleno de fluido de lavado. Utilice esencias minerales para purgar el aceite de conservación.
10. Coloque el control de presión en el nivel de presión más bajo. Baje la válvula de descarga de presión.
11. Encienda el equipo.
12. Aumente la presión para poner en marcha el motor y permitir que el fluido circule a través del tubo de descarga de presión durante 15 segundos. A continuación, reduzca la presión.
13. Coloque la válvula de descarga de presión en horizontal. Desactive el bloqueo del gatillo de la pistola de pulverización.
14. Mantenga la pistola sobre un contenedor metálico conectado a tierra. Active el gatillo de la pistola y aumente la presión del fluido a la mitad. Realice la purga durante 1 minuto. Compruebe si se producen fugas. Si se producen fugas, realice el procedimiento de descarga de presión y apriete la conexión en la que se produjo la fuga. No detenga las fugas con la mano ni con trapos. Repita los pasos 1 al 5 del procedimiento de puesta en marcha. Si no se producen fugas, continúe.
15. Coloque el tubo sifón en el cubo de pintura.
16. Apriete el gatillo de nuevo con la pistola en la dirección del contenedor metálico, hasta que la pintura fluya. Mueva la pistola hacia el cubo de pintura y apriete el gatillo durante unos 20 segundos. Active el bloqueo de seguridad. Ensamble la punta y el protector (consulte la siguiente sección).

ENSAMBLAJE DE LA PUNTA Y EL PROTECTOR

1. Inserte la junta metálica y la junta tipo fuelle flexible de color negro colocando las juntas en el extremo de la punta T93R Contractor e insértela a través del protector. Alinee las juntas girando la punta.
2. Inserte la punta
3. Atornille el conjunto a la pistola. Apriételo.

PULVERIZACIÓN

1. Patrón de prueba de pulverización. Comience con la presión establecida en el ajuste más bajo, y aumente gradualmente la presión hasta que logre un patrón de pulverización homogéneo sin bordes demasiado visibles. Si no puede eliminar los bordes demasiado visibles mediante el ajuste de la presión, utilice una punta más pequeña.
2. Mantenga la pistola en perpendicular, a unos 25-30 cm de la superficie frontal. Pulverice hacia atrás y hacia delante con una superposición del 20 %. Para evitar puntos muy marcados, comience a mover la pistola antes de apretar el gatillo. Cuando deje de pulverizar, tras soltar el gatillo siga moviendo la pistola.

LIBERACIÓN DE UNA PUNTA OBSTRUIDA

- a) Suelte el gatillo y active el bloqueo de seguridad.
- b) Gire la punta T93R.
- c) Desactive el bloqueo de seguridad.
- d) Active el gatillo de la pistola para liberar la obstrucción. No apunte nunca con la pistola a su mano ni a un trapo.

2. REANUDACIÓN DE LA PULVERIZACIÓN

- a) Active el bloqueo de seguridad.
- b) Coloque la punta de nuevo en la posición de pulverización.
- c) Desactive el bloqueo de seguridad y siga pulverizando.

LIMPIEZA

1. Apague y desenchufe el pulverizador.
2. Coloque la presión en el ajuste más bajo. Accione el gatillo para descargar la presión.
3. Coloque el tubo de descarga de presión en el cubo. Baje la válvula de descarga de presión.

4. Retire el protector y la punta T93R. Limpie la punta con un cepillo de cerdas blandas. **NO GUARDAR EN EL AGUA.**
5. Retire el conjunto de tubo de sifón de la pintura y colóquelo en el fluido de purga. Utilice agua para la pintura con base agua y esencias minerales para la pintura con base aceite.
6. Enchufe el pulverizador. Encienda el equipo. Coloque la válvula de descarga de presión en horizontal.
7. Sostenga la pistola sobre el cubo de pintura. Desactive el bloqueo de seguridad del gatillo. Accione el gatillo de la pistola y aumente la presión hasta que aparezca fluido de purga.
8. Mueva la pistola hacia el cubo de purga, sostenga la pistola sobre el cubo. Accione el gatillo de la pistola para purgar el sistema correctamente. Suelte el gatillo y active el bloqueo de seguridad del gatillo.
9. Baje la válvula de descarga de presión y deje que el fluido de purga circule entre 1 y 2 minutos para limpiar el tubo de drenaje.
10. Suba el tubo de sifón por encima del fluido de purga y ponga el pulverizador en marcha durante 15-30 segundos para drenar el fluido. Apague el equipo.
11. Cierre la válvula de descarga de presión. Active el gatillo de la pistola hacia el cubo de purga para purgar el fluido de la manguera.
12. Abra la válvula de descarga de presión. Círrrela. No guarde la unidad con la válvula de descarga de presión abierta.
13. Retire el filtro de la pistola y el pulverizador, en caso de estar instalados. Límpielos y revíselos. Instálelos de nuevo.
14. Si está realizando la purga con agua, purgue de nuevo con esencias minerales o con limpiador de bombas TriTech para crear una película protectora contra la congelación y la corrosión.
15. Desenchufe el cable de corriente de la toma eléctrica y pase un paño humedecido con agua o esencias minerales por el pulverizador, la manguera y la pistola.

Procedimiento de descarga de presión

La presión del pulverizador debe descargarse manualmente, para evitar que el pulverizador se ponga en marcha o pulverice de forma accidental.

El fluido sometido a alta presión puede inyectarse a través de la piel y provocar lesiones graves. Para reducir el riesgo de lesiones provocadas por inyección, salpicaduras de fluidos o piezas móviles,

Siga el **Procedimiento de descarga de presión** siempre que:

- se le indique que descargue la presión
- deje de pulverizar
- revise o realice tareas de servicio en cualquier equipo del sistema
- instale o limpie la punta de pulverización

Gire el control giratorio de presión hacia la izquierda para detenerlo.

2. Apague el pulverizador.
3. Desenchufe el cable de suministro eléctrico.
4. Coloque con firmeza la parte metálica de la pistola sobre el contenedor metálico conectado a tierra. Accione el gatillo para descargar la presión.
5. Bloquee el cierre de seguridad de la pistola.
6. Abra la válvula de cebado. Deje la válvula de cebado abierta hasta que esté listo para pulverizar de nuevo.

NOTA: No guarde la unidad con la válvula de descarga de presión abierta durante periodos de tiempo prolongados. Guarde la unidad en la posición de pulverización.

NOTA: Si tiene la sospecha de que la punta de pulverización o la manguera están totalmente obstruidas, o de que la presión no se ha descargado por completo después de seguir los pasos indicados anteriormente, afloje **LENTAMENTE** el protector de la punta o el acoplamiento del extremo de la manguera para descargar la presión de forma gradual y, a continuación, afloje por completo. Posteriormente, limpie la obstrucción de la punta o la manguera.

ADVERTENCIA DE DESCARGA ELÉCTRICA

Para reducir el riesgo de lesiones graves, incluidas descargas eléctricas, no toque las piezas móviles o eléctricas con los dedos ni con herramientas mientras prueba la reparación. Apague y desenchufe el pulverizador cuando haya completado la inspección. Instale todas las cubiertas, protectores, juntas, tornillos y arandelas antes de utilizar el pulverizador.

PROBLEMA	QUÉ SE DEBE COMPROBAR	SOLUCIÓN
El motor no se enciende.	<ol style="list-style-type: none"> 7. La unidad no está enchufada. 8. El ajuste de presión es demasiado bajo 9. Disyuntor abierto 	<ol style="list-style-type: none"> 7. Enchufe la unidad. 8. Aumente la presión. 9. Compruebe el disyuntor y restablézcalo si es necesario.
La unidad no realiza el cebado	<ol style="list-style-type: none"> 9. El tubo de entrada está suelto 10. Filtro de entrada obstruido 11. Bola de entrada bloqueada 12. Bola de salida bloqueada 	<ol style="list-style-type: none"> 9. Revise la junta tórica y apriete el tubo de sifón. 10. Compruebe si el filtro de entrada está limpio o cámbielo. 11. Retire el conjunto de la manguera de sifón y mueva la bola de entrada con un lápiz. 12. Retire la manguera de sifón y la válvula de pie, y utilice un lápiz para mover la bola de salida.
La bomba genera presión pero no se detiene	<ol style="list-style-type: none"> 7. Bola de entrada o asiento obstruido o fragmentado 8. Bola de salida o asiento obstruido o fragmentado 9. Fugas en la válvula de cebado. 	<ol style="list-style-type: none"> 7. Limpie o sustituya si es necesario. 8. Limpie o sustituya si es necesario. 9. Cambie la válvula de cebado si se producen fugas de revestimiento mientras está bajo presión.
Se producen fugas de pintura de la copa húmeda	<ol style="list-style-type: none"> 3. Inspeccione el empaquetado superior. 	<ol style="list-style-type: none"> 7. Cámbielo si es necesario
La bomba tiene poca potencia	<ol style="list-style-type: none"> 7. Punta de pulverización gastada 8. Bola inferior o superior gastada 9. Válvula de cebado gastada 	<ol style="list-style-type: none"> 3. Inspeccione la punta comprobando el ancho del patrón del ventilador. Si está gastada, cámbiela. 8. Inspeccione la bola inferior y superior en busca de daños. Cámbielas si están dañadas o gastadas. 9. Si se producen fugas en la válvula de cebado durante la pulverización, límpiela o sustitúyala.
<p>NOTA: Antes de realizar cualquier tarea de inspección o reparación, siga el procedimiento de descarga de presión. No intente realizar ninguna tarea de mantenimiento o reparación mientras la unidad se encuentre enchufada o sometida a presión.</p>		

MISES EN GARDE ET PROCÉDURE DE MISE EN SERVICE

MISES EN GARDE

Vous trouverez ci-dessous des mises en garde générales concernant l'utilisation, l'entretien, la mise à la terre et la réparation des pulvérisateurs de peinture type airless TriTech. Ce manuel contient des mises en garde supplémentaires aux endroits concernés. Les symboles figurant dans le manuel désignent ces mises en garde générales. Reportez-vous à ces pages quant à la description des symboles de risque spécifique.

DANGER D'INCENDIE ET D'EXPLOSION

Les vapeurs inflammables de solvants et de peinture sur le lieu de travail peuvent s'enflammer ou exploser. Pour prévenir un incendie ou une explosion :

- N'utiliser l'équipement que dans des locaux bien ventilés.
- Supprimer toutes les sources de feu, telles que veilleuses, cigarettes, lampes électriques portatives et bâches plastique (risque de décharge électrique par arc statique).
 - Les pulvérisateurs produisent des étincelles. En cas d'utilisation de liquides inflammables dans ou près du pulvérisateur ou encore pour rincer ou nettoyer, tenir le pulvérisateur à un minimum de 6 m (20 pieds) des vapeurs explosives.
- Veiller à débarrasser la zone de travail de tout résidu, y compris les solvants, les chiffons et l'essence.
- Ne pas brancher ni débrancher de cordons d'alimentation électrique ni allumer ou éteindre les lumières en présence de vapeurs inflammables.
- Raccorder à la terre le matériel et les objets conducteurs de la zone de travail. Voir les instructions de Mise à la terre.
- Si l'on remarque la moindre étincelle d'électricité statique ou si l'on ressent une décharge électrique, arrêter immédiatement l'utilisation de l'équipement. Ne pas utiliser le matériel tant que le problème n'a pas été identifié et résolu.
- La présence d'un extincteur est obligatoire dans la zone de travail.

DANGER DE DÉCHARGE ÉLECTRIQUE

Une mauvaise mise à la terre, un mauvais réglage ou une mauvaise utilisation du système peut provoquer une décharge électrique.

- Mettre hors tension et débrancher le câble d'alimentation avant de procéder à un entretien du matériel.
- N'utiliser que des rallonges à 3 conducteurs et brancher uniquement sur des prises électriques reliées à la terre.
- S'assurer que les broches de terre du cordon d'alimentation du pulvérisateur et des rallonges sont intactes.
- **ATTENTION** : Pour réduire le risque de choc électrique, ne pas exposer à la pluie. Ranger à l'intérieur des locaux.

DANGER D'INJECTION CUTANÉE

Les fluides s'échappant à haute pression de la buse, du pistolet, d'une fuite du flexible ou d'un composant défectueux risquent de transpercer la peau. La blessure peut avoir l'aspect d'une simple coupure, mais il s'agit en fait d'une blessure sérieuse risquant de mener à une amputation. Consulter immédiatement un médecin.

- Ne pas diriger le pistolet sur quelqu'un ou une partie quelconque du corps.
- Ne pas mettre la main devant la buse de pulvérisation. N'utiliser que la buse spécifiée par TriTech.
- Ne jamais colmater ou dévier les fuites avec la main, le corps, un gant ou un chiffon.
- Verrouiller la gâchette à chaque arrêt de la pulvérisation.
- Suivre la Procédure de dépressurisation de ce manuel à chaque interruption de la pulvérisation et avant le nettoyage, la vérification ou l'entretien du matériel.

DANGER EN CAS DE MAUVAISE UTILISATION DE L'APPAREIL

CONSIGNES DE SÉCURITÉ IMPORTANTES

Toute mauvaise utilisation du matériel peut provoquer des blessures graves, voire mortelles.

- Ne pas dépasser la pression ou la température de service maximale spécifiée de l'élément le plus faible du système. Voir les Caractéristiques techniques de tous les manuels de l'appareil. N'utiliser que la buse spécifiée par TriTech.
- Utiliser des produits et solvants compatibles avec les pièces au contact de l'appareil. Voir les Caractéristiques techniques de tous les manuels de l'appareil. Lire les mises en garde du fabricant relatives aux fluides et aux solvants. Pour obtenir des informations détaillées sur votre matériel, demandez les fiches de sécurité produits à votre fournisseur de revêtements. Cet appareil est livré avec les fiches de sécurité produits TriLube.
- Vérifier l'équipement quotidiennement. Réparer ou remplacer immédiatement les pièces usées ou endommagées par des pièces de rechange uniquement d'origine TriTech. N'utiliser que la buse spécifiée par TriTech.
- Ne pas modifier cet appareil. Ne pas laisser l'appareil sans surveillance.
- N'utiliser cet appareil que pour l'usage auquel il est destiné. Pour plus de renseignements, appelez le service client ou votre distributeur TriTech.
- Écarter les flexibles et câbles électriques des zones de circulation, des bords coupants, des pièces en mouvement et des surfaces chaudes. Pour remplacer le flexible de pulvérisation, utiliser un flexible identique à celui fourni avec le pulvérisateur.
- Ne pas plier ni trop cintrer les flexibles. Ne pas utiliser le flexible pour tirer ou soulever l'appareil.

- Se conformer à toutes les règles de sécurité applicables.
- Tenir les enfants et les animaux à l'écart de la zone de travail.
- Ne pas utiliser l'appareil si l'on est fatigué ou sous l'influence de médicaments, de drogue ou d'alcool. Être vigilant et faire bien attention à son travail.
- Savoir comment arrêter l'appareil et faire tomber rapidement la pression. Bien connaître les commandes.
- Ne pas tendre le bras trop loin ou se mettre debout sur un support instable. Conserver à tout moment une position stable qui permet de bien garder l'équilibre.

DANGER LIÉ AUX PIÈCES EN ALUMINIUM SOUS PRESSION

N'utiliser ni du 1,1,1-trichloroéthane, ni dichlorométhane, ni solvants à base d'hydrocarbures halogénés, ni produits renfermant de tels solvants dans un appareil en aluminium sous pression. L'utilisation de ces produits peut déclencher une violente réaction chimique et une rupture du matériel, occasionnant des blessures graves, voire mortelles et des dommages matériels.

DANGER LIÉ AUX PRODUITS OU VAPEURS TOXIQUES

Les produits ou vapeurs toxiques peuvent causer des blessures graves voire mortelles en cas de projection dans les yeux ou sur la peau, d'inhalation ou d'ingestion.

- Lire les fiches de sécurité produits pour s'informer des risques spécifiques aux fluides utilisés.
- Stocker les fluides dangereux dans des récipients homologués et les éliminer conformément à la réglementation en vigueur.

ÉQUIPEMENT DE PROTECTION INDIVIDUELLE

Il est impératif que le personnel porte un équipement de protection approprié quand il utilise ou effectue une intervention sur l'appareil ou qu'il se trouve dans la zone d'utilisation de l'appareil pour éviter des blessures graves telles que des lésions oculaires, l'inhalation de fumées toxiques, des brûlures et une perte de l'ouïe. Cet équipement de protection comprend, entre autres :

- Des lunettes de sécurité
- Des vêtements de sécurité et un respirateur conformément aux recommandations du fabricant de fluide et de solvant
- Des gants
- Un serre-tête antibruit

MISE À LA TERRE :

Ce pulvérisateur doit être raccordé à la terre. La mise à la terre réduit les risques d'électricité statique et de décharge électrique grâce à un fil permettant au courant de s'échapper en cas d'accumulation d'électricité statique ou de court-circuit.

- Le cordon d'alimentation possède un fil de terre relié à un contact de mise à la terre appropriée.
- Cette fiche doit être enfichée dans une prise montée et reliée à la terre conformément à tous les codes et règlements locaux.
- Ne pas modifier la fiche. Si elle ne rentre pas dans la prise, faire installer une prise avec mise à la terre par un électricien qualifié. Ne pas utiliser d'adaptateur.

Pour réduire le risque de décharge statique ou d'injection, utiliser uniquement un flexible de type airless conçu pour la pression nominale correcte du système.

ALIMENTATION ÉLECTRIQUE

- Appareils 110 V : 100-120 V c.a. 50/60 Hz, 15 A, monophasé
- Appareils 220 V : 220-240 V c.a., 50/60 Hz, 7,5 A, monophasé

RALLONGES ÉLECTRIQUES

• Utiliser uniquement un cordon d'alimentation électrique avec mise à la terre. Si une rallonge est nécessaire, utiliser un câble à 3 conducteurs, de 12 Awg (2,5 mm²) minimum. La rallonge ne doit pas mesurer plus de 100 mètres (300 pieds).

SEAUX

- Solvants et fluides à l'huile : respecter la réglementation locale. N'utiliser que des seaux métalliques conducteurs placés sur une surface reliée à la terre, sur du béton par exemple.
- Ne pas poser le seau sur une surface non conductrice telle que du papier ou du carton qui interromprait la continuité de terre.
- Pour maintenir la continuité de terre pendant le rinçage ou la dépressurisation : appuyer fermement une partie métallique du pistolet sans sa buse contre le côté d'un seau métallique relié à la terre, puis appuyer sur la gâchette du pistolet.

PROCÉDURE DE DÉCOMPRESSION

Couper la pression en tournant le bouton de commande de pression dans le sens antihoraire.

2. Éteindre le pulvérisateur.
3. Débrancher son cordon d'alimentation.
4. Appuyer fermement une partie métallique du pistolet contre un récipient métallique relié à la terre. Actionner le pistolet pour relâcher la pression.
5. Verrouiller le loquet de sécurité du pistolet.
6. Ouvrir la soupape de détente. Laisser cette soupape ouverte jusqu'à ce que le pulvérisateur soit prêt à fonctionner à nouveau.

REMARQUE : Ne pas entreposer l'appareil pour une longue durée avec la soupape de détente ouverte. Entreposer l'appareil en position de pulvérisation.

REMARQUE : Dans l'éventualité où la buse de pulvérisation ou le flexible serait complètement bouché ou que la pression n'aurait pas été complètement relâchée après ces opérations, desserrer **LENTEMENT** le garde-buse ou le raccord du flexible pour dépressuriser progressivement, puis le desserrer complètement. Déboucher alors la buse ou le flexible.

MISE EN SERVICE

Dans cette notice d'instructions, toutes les illustrations représentent les modèles T-5 et T-7 ainsi que le pistolet de pulvérisation type airless T360.

1. Raccorder le flexible type airless TriTech au pulvérisateur. Bien serrer.
2. Raccorder l'autre extrémité du flexible au pistolet.
3. Bien serrer.
4. Retirer le garde-buse.
5. Vérifier si la crépine d'entrée est bouchée ou contient des débris.
6. Remplir le dispositif de retenue supérieur avec du TriLube pour empêcher une usure prématurée des garnitures. Effectuer cette opération à chaque pulvérisation.
7. Brancher le cordon d'alimentation sur une prise électrique correctement raccordée à la terre.
8. Tourner la soupape de détente vers le bas.

9. Plonger le tuyau d'aspiration dans un seau métallique mis à la terre et rempli en partie de liquide de rinçage. Utiliser des essences minérales pour vider l'huile de stockage.
10. Régler le régulateur de pression au niveau le plus bas. Tourner la soupape de détente vers le bas.
11. Mettre l'appareil en marche.
12. Augmenter la pression pour démarrer le moteur et faire circuler le fluide pendant 15 secondes dans le tuyau de vidange, puis réduire la pression.
13. Placer la soupape de détente en position horizontale. Déverrouiller la gâchette du pistolet.
14. Appuyer le pistolet contre un récipient métallique mis à la terre. Actionner le pistolet et augmenter la pression du produit jusqu'à mi-chemin. Rincer pendant 1 minute. Contrôler l'étanchéité. En cas de fuite, suivre la procédure de dépressurisation puis resserrer le raccord où est apparue la fuite. Ne pas arrêter une fuite avec la main ou un chiffon ! Répéter les étapes 1 à 5 de mise en service. S'il n'y a pas de fuite, continuer.
15. Mettre le tuyau d'aspiration dans un seau de peinture.
16. Actionner à nouveau le pistolet dans un seau métallique jusqu'à ce que la peinture apparaisse. Diriger le pistolet vers le seau de peinture et presser la gâchette pendant 20 secondes. Verrouiller le pistolet. Monter la buse et le garde-buse (voir la section suivante).

ASSEMBLAGE BUSE ET GARDE-BUSE

1. Placer un joint métallique et un ensemble d'étanchéité à « soufflet noir » à l'extrémité de la buse de chantier T93R et les insérer à travers le garde-buse. Aligner les joints en tournant la buse.
2. Insérer la buse.
3. Visser l'ensemble sur le pistolet. Serrer.

PULVÉRISATION

1. Faire un essai de pulvérisation. Commencer avec la pression la plus faible, puis augmenter progressivement la pression jusqu'à obtenir une répartition régulière de la pulvérisation sans bords trop chargés. Prendre une buse de plus petit diamètre si le réglage de pression ne permet pas de supprimer les bords trop chargés.
2. Tenir le pistolet perpendiculairement à la surface à peindre, à 25-30 cm (10-12 pouces). Pulvériser par des mouvements de va-et-vient qui se chevauchent de 20 %. Pour éviter des surcharges, commencer à déplacer le pistolet avant d'appuyer sur la gâchette. Au moment d'arrêter la pulvérisation, continuer de déplacer le pistolet après avoir relâché la gâchette.

DÉBOUCHAGE DE LA BUSE

- a) Relâcher la gâchette et la VERROUILLER.
- b) Faire pivoter la buse T93R.
- c) DEVERROUILLER la gâchette.
- d) Actionner le pistolet pour déboucher la buse. Ne jamais pointer le pistolet sur votre main ou un chiffon !

2. RETOUR À LA PULVÉRISATION

- a) VERROUILLER la gâchette.
- b) Remettre la buse en position de pulvérisation.
- c) DEVERROUILLER la gâchette et poursuivre la pulvérisation.

NETTOYAGE

1. Couper l'alimentation électrique et débrancher le pulvérisateur.
2. Réduire la pression au plus bas. Actionner le pistolet pour relâcher la pression.
3. Mettre le tuyau de vidange dans le seau. Tourner la soupape de détente vers le bas.
4. Démonter le garde-buse et la buse T93R. Nettoyer la buse avec une brosse à poils doux. NE PAS STOCKER DANS L'EAU.
5. Sortir le tuyau d'aspiration de la peinture et le plonger dans le liquide de rinçage. Utiliser de l'eau pour de la peinture à l'eau et des essences minérales pour de la peinture à l'huile.
6. Brancher le pulvérisateur. Mettre l'appareil en marche. Placer la soupape de détente en position horizontale.

7. Appuyer le pistolet contre le seau de peinture. Déverrouiller la gâchette. Actionner le pistolet et augmenter la pression jusqu'à ce qu'apparaisse le fluide de rinçage.
8. Approcher le pistolet du seau de rinçage et l'appuyer contre le seau. Actionner le pistolet pour rincer soigneusement le pulvérisateur. Relâcher la gâchette et la verrouiller.
9. Positionner la soupape de détente vers le bas et faire circuler le fluide de rinçage pendant 1 à 2 minutes pour nettoyer le tuyau de vidange.
10. Relever le tuyau d'aspiration au-dessus du niveau du fluide de rinçage et faire fonctionner le pulvérisateur pendant 15 à 30 secondes pour vidanger le fluide. Éteindre l'appareil.
11. Fermer la soupape de détente. Actionner le pistolet au-dessus du seau de rinçage pour chasser le fluide du flexible.
12. Ouvrir la soupape de détente. Puis fermer la soupape. Ne pas entreposer l'appareil avec la soupape de détente ouverte.
13. Démonter les filtres du pistolet et du pulvérisateur, s'ils en sont équipés. Nettoyer et examiner. Remonter les filtres.
14. En cas de rinçage à l'eau, rincer à nouveau avec des essences minérales ou le produit nettoyant pour pompe TriTech pour laisser un revêtement protecteur contre le gel ou la corrosion.
15. Débrancher le cordon d'alimentation et essuyer le pulvérisateur, le flexible et le pistolet avec un chiffon imbibé d'eau ou d'essences minérales.

Procédure de dépressurisation

Il faut dépressuriser manuellement le pulvérisateur pour l'empêcher de démarrer ou de pulvériser accidentellement.

Du fluide sous haute pression pourrait être injecté à travers la peau et occasionner des blessures graves. Pour réduire le risque de blessures causées par une injection, une giclée de fluide ou les pièces mobiles,

Suivez la **Procédure de décompression** dans les cas suivants :

- les instructions enjoignent de dépressuriser
- à l'arrêt de la pulvérisation
- pour la vérification ou une intervention sur tout matériel du système
- pour l'installation ou le nettoyage de la buse de pulvérisation

Réduire la pression en tournant le bouton de commande de pression dans le sens antihoraire.

2. Éteindre le pulvérisateur.
3. Débrancher son cordon d'alimentation.
4. Appuyer fermement une partie métallique du pistolet contre un récipient métallique relié à la terre. Actionner le pistolet pour relâcher la pression.
5. Verrouiller le loquet de sécurité du pistolet.
6. Ouvrir la soupape d'amorçage. Laisser cette soupape ouverte jusqu'à ce que le pulvérisateur soit prêt à fonctionner à nouveau.

REMARQUE : Ne pas entreposer l'appareil pour une longue durée avec la soupape de détente ouverte. Entreposer l'appareil en position de pulvérisation.

REMARQUE : Dans l'éventualité où la buse ou le flexible serait complètement bouché ou que la pression n'aurait pas été complètement relâchée après ces opérations, serrer **LENTEMENT** le garde-buse ou le raccord du flexible pour dépressuriser progressivement, puis le desserrer complètement. Déboucher alors la buse ou le flexible.

MISE EN GARDE CONTRE LE RISQUE DE CHOC ÉLECTRIQUE

Pour réduire le risque de blessures graves, y compris de choc électrique, ne pas toucher les pièces mobiles ou électriques avec les doigts ou les outils pendant les tests de réparation. Une fois l'inspection terminée, éteindre le pulvérisateur et le débrancher. Avant de mettre le pulvérisateur en marche, installer tous les capots, dispositifs de protection, joints, vis et rondelles.

PROBLÈME	QUOI VÉRIFIER	SOLUTION
Le moteur ne démarre pas.	<ul style="list-style-type: none"> 10. L'appareil n'est pas branché. 11. Le réglage de la pression est trop faible. 12. Le disjoncteur est ouvert. 	<ul style="list-style-type: none"> 10. Brancher l'appareil 11. Augmenter la pression 12. Vérifier le disjoncteur et le réarmer au besoin.
L'appareil ne s'amorce pas.	<ul style="list-style-type: none"> 13. Le tuyau d'admission est desserré. 14. La crépine d'admission est bouchée. 15. La bille d'admission est coincée. 16. La bille de sortie est coincée. 	<ul style="list-style-type: none"> 13. Vérifier le joint torique et serrer le flexible d'aspiration 14. Vérifier la propreté de la crépine d'admission ou la remplacer 15. Retirer l'assemblage du flexible d'aspiration et décoincer la bille avec un crayon. 16. Retirer le flexible d'aspiration et la soupape d'admission puis décoincer la bille de sortie avec un crayon.
La pompe monte en pression mais ne s'arrête pas.	<ul style="list-style-type: none"> 10. La bille d'admission ou son siège est obstrué ou abîmé. 11. La bille de sortie ou son siège est obstrué ou abîmé. 12. La soupape d'amorçage fuit. 	<ul style="list-style-type: none"> 10. Nettoyer ou remplacer au besoin 11. Nettoyer ou remplacer au besoin 12. Remplacer la soupape d'amorçage en cas de fuites de revêtement sous pression.
La peinture fuit du boîtier humide.	<ul style="list-style-type: none"> 4. Vérifier la garniture supérieure. 	<ul style="list-style-type: none"> 10. La remplacer au besoin
Le débit de la pompe est faible.	<ul style="list-style-type: none"> 10. La buse du pulvérisateur est usée. 11. La bille supérieure ou inférieure est usée. 12. La soupape d'amorçage est usée. 	<ul style="list-style-type: none"> 4. Examiner la buse en vérifiant la largeur du jet de pulvérisation. La remplacer en cas d'usure. 11. Vérifier si les billes inférieure et supérieure sont endommagées. Les remplacer en cas de dommages ou d'usure. 12. Si la soupape d'amorçage fuit pendant la pulvérisation, la nettoyer ou la remplacer.
<p>REMARQUE : Avant d'effectuer toute inspection ou réparation, suivre la procédure de dépressurisation. Ne jamais essayer d'intervenir sur l'appareil ou de le réparer pendant qu'il est branché ou sous pression.</p>		

WARNHINWEISE UND INBETRIEBNAHME

WARNHINWEISE

Im Folgenden sind allgemeine Warnhinweise zu Betrieb, Wartung, Erdung und Reparatur der Farbspritzanlagen der Reihe TriTech Airless aufgelistet. Zusätzliche Warnhinweise befinden sich in dieser Anleitung überall dort, wo sie zutreffen. Die in dieser Anleitung erscheinenden Symbole beziehen sich auf diese Warnhinweise. Die Bedeutung eines spezifischen Gefahrensymbols sind auf den folgenden Seiten nachzulesen.

BRAND- UND EXPLOSIONSGEFAHR

Entflammable Dämpfe im Arbeitsbereich, wie Lösungsmittel und Farbdämpfe können sich entzünden oder explodieren. Zur Vermeidung eines

Brands oder einer Explosion:

- Das Gerät nur in gut gelüfteten Bereichen benutzen.
- Alle Zündquellen, wie Zündflammen, Zigaretten, tragbare elektrische Lampen und Plastikabdeckplanen (Gefahr statischer Elektrizität) beseitigen.
- Farbspritzgeräte erzeugen Funken. Werden entflammable Flüssigkeiten in oder in der Nähe des Farbspritzgeräts z. B. zum Spülen oder Reinigen verwendet, einen Mindestabstand von 6 m zwischen Gerät und explosiven Dämpfen einhalten.
- Den Arbeitsbereich freihalten von Abfall, einschließlich Lösungsmitteln, benutzten Lappen und Benzin.
- Bei Anwesenheit von entflammbaren Gasen keine Stecker einstecken oder herausziehen und das Licht nicht an- oder ausschalten.
- Geräte und leitende Gegenstände, die sich im Arbeitsbereich befinden, erden. Diesbezüglich die Anweisungen zur Erdung beachten.
- Sollten Sie elektrostatische Funkenbildung oder einen Elektroschock wahrnehmen, den Betrieb sofort einstellen. Das Gerät erst wieder nutzen, nachdem das Problem erkannt und beseitigt wurde.
- Einen Feuerlöscher im Arbeitsbereich bereithalten.

GEFAHR EINES STROMSCHLAGS

Eine unsachgemäße Erdung, Montage oder Nutzung des Systems kann zu Stromschlägen führen.

- Vor einer Wartung Anlage ausschalten und ziehen Netzstecker ziehen.
- Nur dreiadrige Verlängerungskabel und geerdete Steckdosen verwenden.
- Sicherstellen, dass die Schutzleiteranschlüsse an Geräte- und Verlängerungskabeln intakt sind.
- **ACHTUNG:** Gerät vor Regen schützen, um das Risiko eines Stromschlags zu vermeiden. Gerät nicht im Freien aufbewahren.

GEFAHR VON HAUTVERLETZUNGEN

Unter Hochdruck stehende Flüssigkeiten aus Düse, Spritzpistole, Schlauchlecks oder gerissenen Teilen können in die Haut eindringen. Dies mag zwar wie eine Schnittwunde aussehen, ist aber eine schwerwiegende Verletzung, die bis zur Amputation führen kann. Sofort ärztliche Hilfe aufsuchen.

- Spritzpistole nicht auf Personen oder Körperteile richten.
- Hand nicht vor die Spritzdüse halten. Nur von TriTech empfohlene Spritzdüsen verwenden.
- Niemals versuchen, undichte Stellen mit der Hand, anderen Körperteilen, Handschuhen oder Lappen abzudichten oder umzuleiten.
- Abzugssperre verriegeln, wenn nicht gesprüht wird.
- Das in dieser Anleitung beschriebene Druckentlastungsverfahren befolgen, wenn die Farbsprüharbeiten beendet sind und bevor das Gerät gesäubert, überprüft oder gewartet wird.

GEFAHREN DURCH UNSACHGEMÄSSEN GEBRAUCH

WICHTIGE SICHERHEITSHINWEISE

Unsachgemäßer Gebrauch kann zu Tod oder schweren Verletzungen führen.

- Den maximalen Betriebsdruck oder die Temperaturangabe des Systembestandteils mit der niedrigsten Angabe nicht überschreiten. Die technischen Daten jeder Geräteanleitung lesen. Nur von TriTech empfohlene Spritzdüsen verwenden.
- Flüssigkeiten und Lösungsmittel verwenden, die mit den Geräteteilen, mit denen sie in Kontakt kommen, kompatibel sind. Die technischen Daten jeder Geräteanleitung lesen. Warnhinweise der Hersteller von Flüssigkeiten und Lösungsmitteln beachten. Für mehr Informationen bezüglich des Materials Sicherheitsdatenblätter (SDB) von Ihrem Lacklieferanten anfordern. Die SDB von TriLube werden mit dem Gerät mitgeliefert.
- Ausrüstungsteile täglich überprüfen. Abgenutzte oder beschädigte Teile sofort gegen original TriTech Ersatzteile austauschen. Nur von TriTech empfohlene Spritzdüsen verwenden.
- Das Gerät nicht verändern oder umbauen. Das Gerät nicht unbeaufsichtigt lassen.
- Das Gerät nur für den dafür vorgesehenen Zweck nutzen. Für weitere Informationen Ihren TriTech Kundendienst oder Ihren TriTech Vertriebshändler kontaktieren.
- Leitungen und Schläuche nicht in Durchgangsbereiche legen und scharfe Kanten, bewegliche Teile und heiße Oberflächen meiden. Falls der Spritzschlauch ausgewechselt werden muss, den mitgelieferten identischen Schlauch verwenden.
- Schläuche nicht knicken oder zu stark biegen. Nicht am Schlauch ziehen, um das Gerät zu bewegen oder anzuheben.

- Alle maßgeblichen Sicherheitshinweise befolgen.
- Kinder und Tiere aus dem Arbeitsbereich fernhalten.
- Das Gerät nicht unter Einfluss von Alkohol oder Drogen oder bei Ermüdung bedienen. Bleiben Sie wachsam und achten Sie auf das, was Sie tun.
- Sich damit vertraut machen, wie das Gerät schnell ausgeschaltet und drucklos gemacht wird. Sich mit den Bedienelementen vertraut machen.
- Für einen sicheren Stand sorgen und sich nicht zu weit beugen. Jederzeit auf festen Halt und ein gutes Gleichgewicht achten.

GEFAHR DURCH DRUCKBEAUFSCHLAGTE ALUMINIUMTEILE

Kein 1,1,1-Trichlorethan, Methylenchlorid, andere halogenhaltige Kohlenwasserstofflösungen oder Flüssigkeiten, die diese Stoffe enthalten, in Drucksystemen mit Aluminiumkomponenten verwenden. Deren Verwendung kann gravierende chemische Reaktionen und Materialbruch hervorrufen und zu ernsthaften Verletzungen, Tod und Sachschaden führen.

GEFAHREN DURCH GIFTIGE FLÜSSIGKEITEN UND DÄMPFE

Giftige Flüssigkeiten oder Dämpfe können zu schwerwiegenden Verletzungen und Tod führen, wenn sie in die Augen oder auf die Haut gelangen, eingeatmet oder verschluckt werden.

Alle SDB lesen, um die spezifischen Gefahren der von Ihnen verwendeten Flüssigkeiten zu kennen.

- Gefährliche Flüssigkeiten in geeigneten Behältern lagern und gemäß geltenden Richtlinien entsorgen.

PERSÖNLICHE SCHUTZAUSRÜSTUNG

Beim Bedienen, Warten oder Aufenthalt im Arbeitsbereich des Geräts ist das Tragen einer Schutzausrüstung zum Schutz gegen schwerwiegende Verletzungen, einschließlich Augenverletzungen, Einatmen giftiger Dämpfen, Verbrennungen und Gehörverlust zwingend notwendig. Die Schutzausrüstung beinhaltet insbesondere:

- Augenschutz
- Schutzkleidung und Atemschutz, laut Empfehlung vom Hersteller der Flüssigkeiten und Lösungsmittel
- Schutzhandschuhe
- Gehörschutz

ERDUNG:

Das Farbspritzgerät muss geerdet werden. Durch die Erdung wird ein durch statische Aufladung oder Kurzschluss hervorgerufener Stromfluss abgeleitet. Damit verringert sich das Risiko eines elektrischen oder elektrostatischen Schlags.

- Im Netzkabel des Farbspritzgeräts befindet sich ein Erdleiter mit einer geeigneten Erdungsvorrichtung am Kontakt.
- Der Stecker muss in eine geeignete, ordnungsgemäß installierte und entsprechend den gültigen Vorschriften und Gesetzen geerdete Steckdose gesteckt werden.
- Stecker nicht verändern. Sollte er nicht in die Steckdose passen, eine geerdete Steckdose von einer Elektrofachkraft einbauen lassen. Keinen Adapter verwenden.

Ausschließlich Airless Schläuche verwenden, die für den entsprechenden Druck zugelassen und geerdet sind, um das Risiko einer statischen Entladung oder Flüssigkeitsinjektion zu vermeiden.

STROMVERSORGUNG

- 110V Anlagen benötigen 100-120 V Wechselstrom, 50/60 Hz, 15 A, einphasig
- 220 V Anlagen benötigen 220-240 V Wechselstrom, 50/60 Hz, 7.5 A, einphasig

VERLÄNGERUNGSKABEL

- Ausschließlich Verlängerungskabel mit Schutzleiter verwenden. Ist ein Verlängerungskabel erforderlich, ein 3-adriges Kabel mit einem Querschnitt von mindestens 2,5 mm² (AWG 12) verwenden. Das Kabel darf nicht länger 100 m sein.

EIMER

- Flüssigkeiten auf Lösungsmittel- oder Ölbasis: Beachten Sie die landesüblichen Vorschriften. Nur leitfähige Metalleimer verwenden, die auf einer geerdeten Oberfläche, wie z. B. Beton stehen.
- Eimer keinesfalls auf nicht-leitende Oberflächen wie z. B. Papier oder Pappe stellen, dies würde die durchgehende Erdung unterbrechen.
- Damit die durchgehende Erdung auch beim Spülen oder Druckentlasten aufrecht erhalten bleibt: Ein Metallteil der Spritzpistole (Airless Düse vorher entfernen) an die Wand des geerdeten Metalleimers halten. Dann die Spritzpistole auslösen.

VORGEHEN ZUR DRUCKENTLASTUNG

Zum Abschalten den Griff des Druckreglers gegen den Uhrzeigersinn drehen.

2. Farbspritzgerät ausschalten.

3. Netzstecker ziehen.

4. Metallteil der Spritzpistole fest an den geerdeten Metallbehälter halten. Spritzpistole zur Druckentlastung auslösen.

5. Abzugssperre der Spritzpistole verriegeln.

6. Entlüftungsventil öffnen. Entlüftungsventil bis zum nächsten Sprühvorgang geöffnet lassen.

HINWEIS: Anlage nicht über einen längeren Zeitraum mit geöffnetem Entlüftungsventil lagern. Anlage in Sprühposition lagern.

HINWEIS: Besteht die Vermutung, dass Spritzdüse oder Schlauch vollständig verstopft sind oder dass der Druck nach Durchführen der oben genannten Schritte noch nicht komplett entlastet ist,

Düsenschutzvorrichtung oder Schlauchkupplung erst **LANGSAM** lösen, um den Druck schrittweise abzulassen, dann komplett lösen. Danach die Verstopfung in Düse oder Schlauch entfernen.

INBETRIEBNAHME

In den Abbildungen dieser Anleitung werden die Modelle # T-5 und T-7 und die Anweisungen für die Airless Spritzpistole T360 gezeigt.

1. TriTech Airless Schlauch an das Farbspritzgerät anschließen. Fest anziehen.

2. Das andere Ende des Schlauchs an die Spritzpistole anschließen.

3. Fest anziehen.

4. Düsenschutz entfernen.

5. Einlassfilter auf Klumpen und Verschmutzungen überprüfen.

6. Obere Aufnahme mit TriLube füllen, um einem vorzeitigen Dichtungsverschleiß vorzubeugen. Dies vor jedem Sprühen durchführen.

7. Netzstecker in eine ordnungsgemäß geerdete Steckdose stecken.

8. Entlüftungsventil nach unten drehen.

9. Saugrohrvorrichtung in einen geerdeten Metallbehälter, der teilweise mit Spülflüssigkeit gefüllt ist, legen. Zum Ausspülen des Lagerungsöls Testbenzin verwenden.

10. Druckregler auf niedrigster Stufe einschalten. Entlüftungsventil nach unten drehen.
11. Gerät einschalten.
12. Druck erhöhen, um den Motor zu starten und die Flüssigkeiten 15 Sekunden im Druckentlastungsschlauch zirkulieren zu lassen, dann Druck drosseln.
13. Entlüftungsventil in horizontale Position bringen. Abzugssperre entsichern.
14. Spritzpistole gegen den geerdeten Metalleimer halten. Spritzpistole auslösen und den Flüssigkeitsdruck auf 50 % einstellen. 1 Minute spülen. Auf undichte Stellen untersuchen. Falls sich undichte Stellen zeigen, das Vorgehen zur Druckentlastung befolgen und die undichten Anschlussstellen abdichten. Undichte Stellen nicht mit der Hand oder Lappen abdichten! Schritte 1-5 der Inbetriebnahme wiederholen. Wenn keine undichten Stellen mehr auftreten, fortfahren.
15. Saugrohr in den Farbeimer legen.
16. Erneut mit der Spritzpistole in den Metallbehälter spritzen, bis Farbe erscheint. Spritzpistole an den Farbeimer halten und 20 Sekunden lang auslösen. Die Abzugssperre verriegeln. Düse und Düsenschutz zusammenbauen. (siehe folgenden Abschnitt).

MONTAGE VON DÜSE UND DÜSENSCHUTZ

1. Metalldichtung und die „schwarze Faltenbalgdichtung“ durch Platzieren am Ende der T93R Contractor Düse einsetzen und durch die Schutzvorrichtung führen. Die Dichtungen durch Drehen der Düse abgleichen.
2. Düse einsetzen
3. Einheit auf die Spritzpistole schrauben. Festziehen.

SPRÜHEN

1. Testmuster sprühen. Mit dem niedrigsten Druck beginnen und den Druck schrittweise bis zum Erreichen eines gleichmäßigen Druckmusters ohne scharfe Ränder erhöhen. Eine kleinere Düse verwenden, wenn scharfe Ränder nicht durch Druckanpassung beseitigt werden können.
2. Spritzpistole im rechten Winkel mit 20-25 cm Abstand vor die Oberfläche halten. Hin und her sprühen mit einer Überlappung von 20%. Zur Vermeidung dunkler Flecken, Spritzpistole bereits vor dem Auslösen bewegen. Beim Beenden des Sprühvorgangs, Spritzpistole nach Loslassen des Abzugshebels weiterbewegen.

REINIGEN EINER VERSTOPFTEN DÜSE

- a) Abzugshebel loslassen, die Abzugssperre verriegeln.
- b) Düse T93R drehen.
- c) Abzugssperre entsichern
- d) Zum Entfernen der Verstopfung Spritzpistole auslösen. Spritzpistole niemals auf Hand oder Lappen richten.

2. SPRÜHVORGANG FORTSETZEN

- a) Abzugssperre verriegeln.
- b) Düse in Sprühposition zurückdrehen.
- c) Abzugssperre entriegeln und weiter sprühen.

REINIGEN

1. Gerät ausschalten und Netzstecker ziehen.
2. Druck auf niedrigste Stufe schalten. Spritzpistole zur Druckentlastung auslösen.
3. Druckentlastungsschlauch in den Eimer legen. Entlüftungsventil nach unten drehen.
4. Düsenschutz und Düse T93R entfernen. Düse mit einer weichen Bürste reinigen. NICHT IN WASSER EINWEICHEN LASSEN.
5. Saugschlauch aus dem Farbeimer nehmen und in die Spülflüssigkeit hängen. Für wasserlösliche Farben Wasser und für

Farben auf Ölbasis Testbenzin verwenden.

6. Netzstecker einstecken. Gerät einschalten. Entlüftungsventil in horizontale Position bringen.

7. Spritzpistole an den Farbeimer halten. Abzugssperre entsichern. Spritzpistole auslösen und den Druck erhöhen bis Flüssigkeit erscheint.

8. Spritzpistole zum Eimer mit Spülflüssigkeit bewegen und an den Eimer halten. Spritzpistole auslösen und das System gründlich spülen. Abzugshebel loslassen und Abzugssperre verriegeln.

9. Entlüftungsventil nach unten drehen und den Entlüftungsschlauch für 1 bis 2 Minuten mit Spülflüssigkeit spülen.

10. Saugschlauch über Spülflüssigkeitsniveau anheben und Gerät zum Entleeren der Flüssigkeit noch 15 bis 30 Sekunden laufen lassen. Gerät ausschalten.

11. Entlüftungsventil schließen. Spritzpistole auf den Eimer mit Spülflüssigkeit richten, auslösen und Schlauch entleeren.

12. Entlüftungsventil öffnen. Dann wieder schließen. Gerät nicht mit geöffnetem Entlüftungsventil lagern.

13. Sofern vorhanden, Filter aus Spritzpistole und Farbspritzgerät entfernen. Filter reinigen und überprüfen. Filter wieder einbauen.

14. Wird mit Wasser gespült, nochmals mit Testbenzin oder TriTech Pumpenreiniger spülen, um eine Schutzschicht gegen Frost und Korrosion zu hinterlassen.

15. Netzstecker aus der Steckdose ziehen und Farbspritzgerät, Schlauch und Spritzpistole mit einem in Wasser oder Testbenzin getränkten Tuch abwischen.

Vorgehen zur Druckentlastung

Der Druck auf dem Farbspritzgerät muss manuell entlastet werden, damit das Gerät nicht unbeabsichtigt anläuft und Farbe versprüht.

Flüssigkeiten unter Hochdruck können durch die Haut dringen und schwerwiegende Verletzungen verursachen. Um das Risiko einer Verletzung durch Flüssigkeitsinjektion, Verspritzen von Flüssigkeiten und sich bewegende Teile zu vermeiden,

das **Vorgehen zur Druckentlastung** stets in folgenden Situationen ausführen:

- Wenn zu einer Druckentlastung aufgefordert wird
- Beim Beenden des Sprühvorgangs
- Beim Überprüfen oder Warten der Ausrüstung
- Beim Montieren und Reinigen der Spritzdüse

Zum Abschalten den Griff des Druckreglers gegen den Uhrzeigersinn drehen.

2. Farbspritzgerät ausschalten.

3. Netzstecker ziehen.

4. Metallteil der Spritzpistole fest an den geerdeten Metallbehälter halten. Spritzpistole zur Druckentlastung auslösen.

5. Abzugssperre der Spritzpistole verriegeln.

6. Entlüftungsventil öffnen. Entlüftungsventil bis zum nächsten Sprühvorgang geöffnet lassen.

HINWEIS: Anlage nicht über einen längeren Zeitraum mit geöffnetem Entlüftungsventil lagern. Anlage in Sprühposition lagern.

HINWEIS: Besteht die Vermutung, dass Spritzdüse oder Schlauch vollständig verstopft sind oder dass der Druck nach Durchführen der oben genannten Schritte noch nicht komplett entlastet ist, Düsenschutzvorrichtung oder Schlauchkupplung erst **LANGSAM** lösen, um den Druck schrittweise abzulassen, dann komplett lösen. Danach die Verstopfung in Düse oder Schlauch entfernen.

WARNUNG VOR STROMSCHLAG

Um das Risiko schwerwiegender Verletzungen, einschließlich Stromschlägen zu vermeiden, beim Überprüfen einer Reparatur keine beweglichen oder elektrischen Teile mit Fingern oder Werkzeugen berühren. Nach Beenden der Wartung Farbspritzgerät ausschalten und Netzstecker ziehen. Vor Benutzung des Geräts alle Abdeckungen, Schutzvorrichtungen, Dichtungen, Schrauben und Unterlegscheiben einbauen.

PROBLEM	WAS ZU ÜBERPRÜFEN IST	ABHILFEMASSNAHME
Motor läuft nicht.	<ul style="list-style-type: none"> 13. Netzstecker nicht eingesteckt. 14. Druck zu niedrig 15. Leistungsschalter ausgeschaltet 	<ul style="list-style-type: none"> 13. Stecker einstecken. 14. Druck erhöhen 15. Leistungsschalter überprüfen und zurücksetzen, falls nötig.
Anlage saugt nicht an	<ul style="list-style-type: none"> 17. Einlassschlauch ist locker 18. Einlasssieb ist verstopft 19. Einlassventilkugel steckt fest 20. Austrittventilkugel steckt fest 	<ul style="list-style-type: none"> 17. O-Ring überprüfen und Saugschlauch festziehen 18. Einlasssieb überprüfen, reinigen oder ersetzen 19. Saugschlauchkupplung auseinanderbauen und Einlassventilkugel mit Stift bewegen. 20. Saugschlauch und Bodenventil entfernen und Austrittventilkugel mit Stift bewegen.
Pumpe baut Druck auf, schaltet aber nicht ab	<ul style="list-style-type: none"> 13. Einlassventilkugel oder -sitz blockiert oder beschädigt 14. Austrittventilkugel oder -sitz blockiert oder beschädigt 15. Entlüftungsventil undicht. 	<ul style="list-style-type: none"> 13. Reinigen oder ersetzen, falls nötig 14. Reinigen oder ersetzen, falls nötig 15. Entlüftungsventil ersetzen, falls Anstrichmittel unter Druck ausläuft.
Farbe läuft aus dem Fließbecher	<ul style="list-style-type: none"> 5. Obere Dichtmanschette überprüfen. 	<ul style="list-style-type: none"> 13. Falls nötig, ersetzen
Geringe Pumpenleistung	<ul style="list-style-type: none"> 13. Spritzdüse abgenutzt 14. Obere oder untere Ventilkugel abgenutzt 15. Entlüftungsventil abgenutzt 	<ul style="list-style-type: none"> 5. Düse durch Überprüfen der Sprühfächerbreite inspizieren. Falls abgenutzt, ersetzen 14. Obere und untere Ventilkugel auf Schäden untersuchen. Ersetzen, falls beschädigt oder abgenutzt. 15. Entlüftungsventil reinigen oder ersetzen, falls es beim Sprühvorgang undicht ist.
<p>HINWEIS: Vor dem Ausführen einer Überprüfung oder Reparatur, die oben beschriebene Druckentlastung durchführen. Niemals Wartungs- oder Reparaturarbeiten vornehmen, solange das Gerät noch unter Druck steht oder der Netzstecker steckt.</p>		



EC- DECLARATION OF CONFORMITY

Model T5, T7

Part Number

600-800, 600-801, 600-802, 600-803, 600-804, 600-805, 600-806, 600-807, 600-810
600-811, 600-812, 600-813, 600-814, 600-815, 600-816, 600-817, 600-830, 600-831
600-832, 600-833, 600-834, 600-835, 600-836, 600-837, 600-840, 600-841, 600-842
600-843, 600-844, 600-845, 600-846, 600-847, 600-850, 600-851, 600-852, 600-853

Complies with the EC Directives: 2006/42/EC Machinery Directive

Standards Used: ISO 1200, ISO 3744

Approved by:

Dan Hosley

Dan Hosley

Vice President of Sales & Marketing

Manufactured by: January 14, 2014

TriTech Industries Inc.

610 Rahway Avenue

Union, NJ 07083 U.S.A.

302-119B



EC- DECLARATION OF CONFORMITY

Model T420, T360, T720, T750

Part Number 500-150, 500-151, 500-152, 500-153, 500-154, 500-155, 500-156,
500-157, 500-150-GTH, 500-152-GTH
503-150, 503-151, 503-152, 503-153, 503-154, 503-155, 503-156,
503-157, 503-150-GTH, 503-152-GTH
506-150, 506-151, 506-152, 506-153, 506-154, 506-155, 506-156,
506-157
507-150, 507-151, 507-152, 507-153, 507-154, 507-155, 507-156,
507-157

Complies with the EC Directives: 2006/42/EC Machinery Directive

Standards Used: ISO 1200, ISO 3744

Approved by:

Dan Hosley

Dan Hosley

Vice President of Sales & Marketing

Manufactured by:

January 14, 2013

TriTech Industries Inc.

610 Rahway Avenue

Union, NJ 07083 U.S.A.

302-119B

EXTENSION CORD VOLTAGE DROP				
120V	15 AMP	100'	200'	300'
14 AWG		110.6	101.2	91.8
12 AWG		114.1	108.1	102.2
10 AWG		116.3	112.5	108.8
LINE LOSS 1/4" HOSE STANDARD LATEX PAINT				
HORIZONTAL	AT PUMP		AT TIP	
50'	3300PSI	227 BAR	3150	217 BAR
100'	3300PSI	227 BAR	3100	213 BAR
150'	3300PSI	227 BAR	3050	210 BAR
200'	3300PSI	227 BAR	3000	207 BAR
250'	3300PSI	227 BAR	2950	203 BAR
300'	3300PSI	227 BAR	2900	199 BAR
VERTICLE				
50'	3200	220 BAR	3135	216 BAR
100'	3200	220 BAR	3070	211 BAR
150'	3200	220 BAR	3005	209 BAR
200'	3200	220 BAR	2940	202 BAR
250'	3200	220 BAR	2875	198 BAR
300'	3200	220 BAR	2810	193 BAR

Pressure Relief Procedure

The sprayer's pressure must be manually relieved to prevent sprayer from starting or spraying accidentally.

Fluid under high pressure can be injected through skin and cause serious injury. To reduce risk of injury from injection, splashing fluid, or moving parts,

Follow the **Pressure Relief Procedure** whenever you:

- are instructed to relieve pressure
- stop spraying
- check or service any system equipment
- install or clean spray tip

Turn pressure control knob counterclockwise to stop.

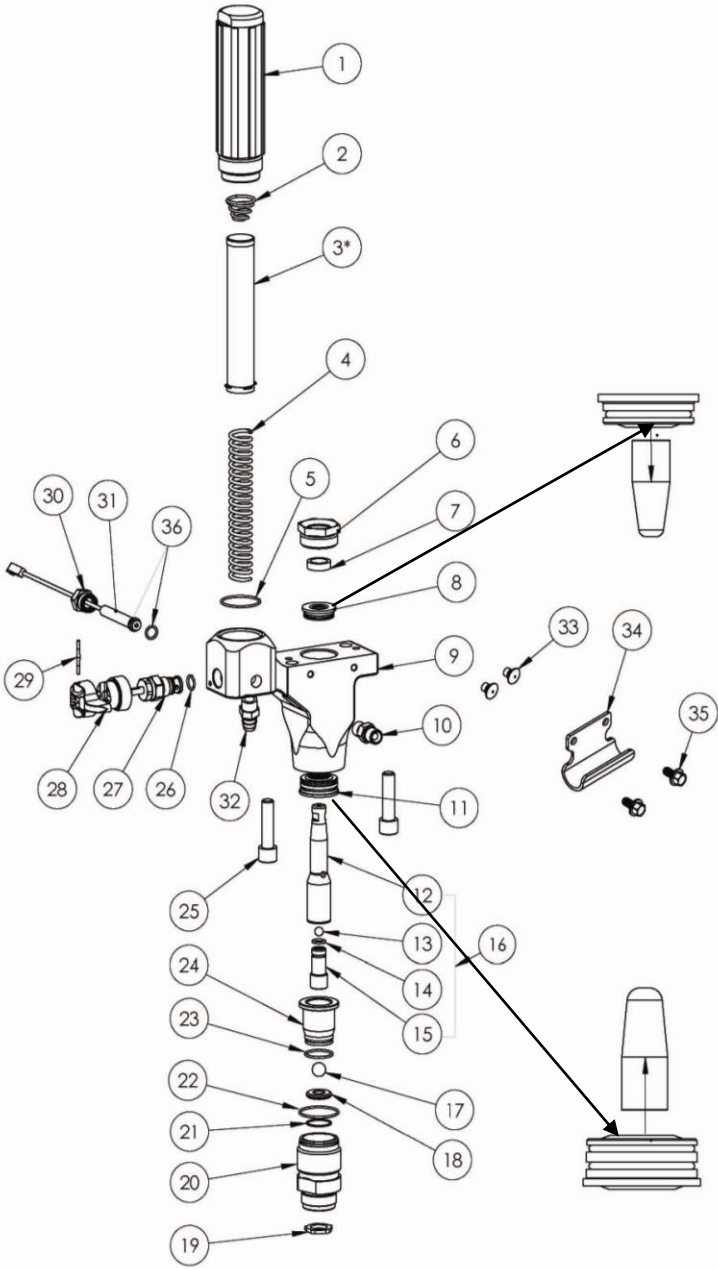
2. Turn sprayer off.
3. Unplug power supply cord.
4. Hold metal part of gun firmly to grounded metal container. Trigger gun to relieve pressure.
5. Lock gun safety latch.
6. Open prime valve. Leave prime valve open until ready to spray again.

NOTE: Do not store unit for extended periods of time with the Pressure relief valve open. Store the unit in the spray position.

NOTE: If suspected that spray tip or hose is completely clogged, or that pressure has not been fully relieved after following steps above,

SLOWLY loosen tip guard or hose end coupling to relieve pressure gradually, and then loosen completely. Clear tip or hose obstruction.

(A) FLUID MANIFOLD



ITEM NO	PART NO.	DESCRIPTION	QTY
1	600-211	HOUSING, FILTER	1
2	600-255	SPRING, FILTER	1
*3	600-141-05	FILTER, 50 MESH	1
4	600-240	CORE, SPRING	1
5	600-353	O-RING	1
6	600-033	RETAINER, UPPER	1
7	600-035	GUIDE, UPPER	1
8	600-017	PACKING, UPPER	1
9	600-0083-75	MANIFOLD, FLUID	1
10	120-001	FITTING, HOSE	1
11	600-024	PACKING, LOWER	1
12	600-099-75	ROD ,PISTON	1
13	600-047	BALL, UPPER	1
14	101-001	O-RING	1
15	600-118-75	VALVE, PISTON (INCL.14)	1
16	600-090-75	ROD, PISTON COMPLETE (12-15)	1
17	600-022	BALL, INTAKE	1
18	600-021	SEAT, INTAKE VALVE	1
19	600-234	WASHER	1
20	600-251	HSG, INTAKE VALVE (INCL.19-22)	1
21	600-279	O-RING	1
22	600-353	O-RING	1
23	600-367	O-RING	1
24	600-249	GUIDE, PISTON (INCL.23)	1
25	600-199	BOLT	2
26	600-237	O-RING	1
27	600-157	VALVE, PRESSURE RELIEF (INCL.26)	1
28	600-437	HANDLE & CAM (INCL.29)	1
29	600-214	PIN, PRESSURE RELIEF	1
30	600-030	HSG, TRANSDUCER	1
31	600-456	TRANSDUCER (INCL.30-31,36)	1
32	600-208	FITTING, HOSE, BARB MALE	1
33	600-242	PLUG, BRACKET MOUNT	2
34	600-320	HOOK, PAIL (HI CART ONLY)	1
35	600-541	SCREW (HI CART ONLY)	2
36	600-418	O-RING	2
(37)	600-455	KIT, REPACKING (INCL.7,8,11,13,14,17,21-23)	1
(38)	600-335	FLUID MANIFOLD COMPLETE (1-24, 26-32)	1

*OPTIONAL FILTERS	
600-141-02	20
600-141-10	100
P/N	MESH SIZE

Both upper and lower packing are shown pushing off the shipping tool. Tool is for shipping purposes only and not to be used to install packings in the fluid manifold.

PAINT/FILTER MANIFOLD SERVICE AND REPAIR

T5 UNITS ONLY

REPACKING PAINT/FILTER MANIFOLD

Follow pressure relief procedure before attempting to service or repair unit.

1. Remove suction set by unthreading nut item # 85, see frame and siphon tube then pull downwards the inlet adaptor from intake housing # 20. Remove return hose #90 from pump/filter manifold. Remove suction set from unit.
2. Remove filter bowl #1 and filter and spring support #3 and 4. Inspect and clean or replace filter screen #3.
3. Remove intake valve housing #20.
4. Remove Piston guide #24 by inserting a ¼" slotted screwdriver in the gap between the upper side of the intake valve housing and the piston guide. Gently pry upwards until piston guide is free from intake valve housing.
5. Carefully inspect ball #17 and seat #18. If worn replace. Note seat #18 can be flipped over to the other side if worn or damaged. If repacking the unit is necessary always make sure to replace ball #17 and gaskets 22 and 21.
6. Insert ¼ Hex key into piston valve assembly # 16 and turn counter clockwise to remove piston valve # 15. Inspect upper ball #13 and carbide seat of piston valve #15. Replace if worn or damaged. Make sure to always replace upper ball #13 and o-ring #14 if repacking unit.
7. To remove the pump/filter manifold housing use a 5/16" Hex wrench in the 2 mounting bolts #25. Then unthread transducer #30 from the back of paint/filter manifold.
8. Remove crank housing cover plate # 55 diagram "B".
9. Insert a slotted screwdriver between crank housing # 53, see diagram "B" and fluid manifold # 9 gently pry downwards until a gap can be seen between # 9 and #53. Then slide pump/filter manifold # 9 from unit.
10. Using a 1" open end or adjustable wrench to remove upper retainer #6.
11. Remove piston rod # 12 by pushing downward with your hand.
12. Inspect upper and lower packings #8 and #11 in place. Do not remove packings to inspect. Remove only if you intend to replace them.
13. When replacing packings make sure to fill the inside of the packings with "packing grease" supplied in repair kit 600-455. Also apply grease on o-ring on the outside of the packing to make insertion easier.
14. Remove upper packing from shipping tool. Insert upper packing in to the top of pump/filter manifold #9. Packing can only go in one direction.
15. Remove lower packing from shipping tool. Insert lower packing #11 in the bottom of the pump/filter manifold. Packing can only go in one direction.
16. Thread upper retainer #6 after replacing upper guide #7. Leave hand tight until piston is installed.
17. Insert upper ball #13 into piston #12 while holding piston upside down.
18. Thread piston valve #15 into piston. Make sure to replace o-ring #14.
19. Using connecting rod item #56 (see diagram "B") to hold piston use a ¼" hex wrench to tighten piston valve firmly into piston.
20. Replace o-rings #23, 22 and 21 below seat in intake valve and on Piston Guide. Insert lower ball and seat #'s 17 and 18 and firmly push piston guide into intake valve housing #20.
21. Slide piston # 12 into intake valve housing assembly. Insert piston through lower packing until it stops. Then thread intake valve assembly into pump/filter manifold. The intake valve housing assembly will push piston through packings correctly. Once intake valve housing is threaded all the way use needle nose pliers on the slots of the top of the piston to align slots front to back.
22. Using a 1" open end wrench or adjustable wrench tighten upper retainer # 6 firmly.

23. If connecting rod is not in the down position plug unit in and cycle unit to get connecting rod into down position.
24. With piston slots aligned slide pump/filter manifold onto connecting rod #56 Diagram "B". Push pump/filter manifold towards crank housing # 53 to line up dowel pins then thread mounting bolts #25 through pump filter manifold and thread into crank housing #53. Tighten firmly with 5/16" Hex wrench.
25. Reattach transducer #30 to the back of pump/filer manifold.
26. Reinstall crankshaft cover plate #55 with 4 screws #40. See diagram "B".
27. Reattach suction set.
28. Pour Trilube through slot in cover plate #55, diagram "B".

REPLACE BY-PASS VALVE

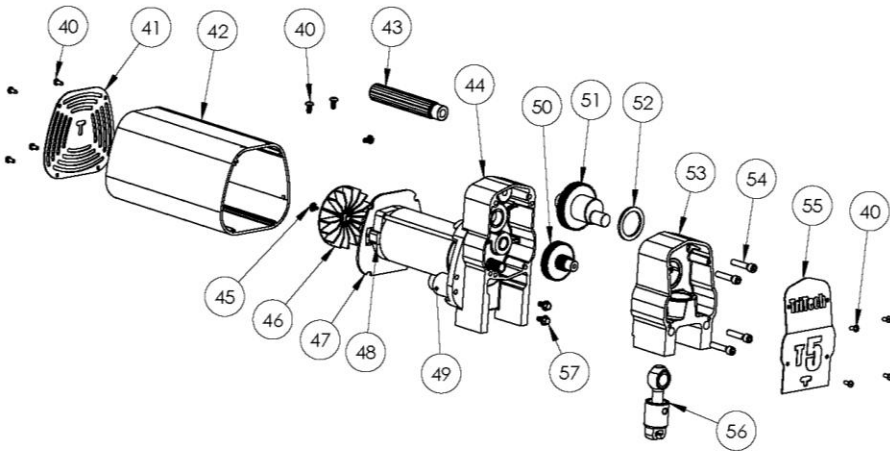
1. To replace the pressure relief valve #27 knock pin #29 through black handle #28.
2. Remove black plastic handle and cap with indexing pin which exposes pressure relief valve.
3. Using a 3/4" open end unthread by pressure relief valve. Inspect. Replace if worn.

REPLACE FILTER

1. To replace the paint filter remove filter bowl #1 from fluid manifold by unthreading counter clockwise.
2. Remove filter #3 and spring support #4. Most times filter can just be cleaned but if damaged replace.

REPLACE TRANSDUCER

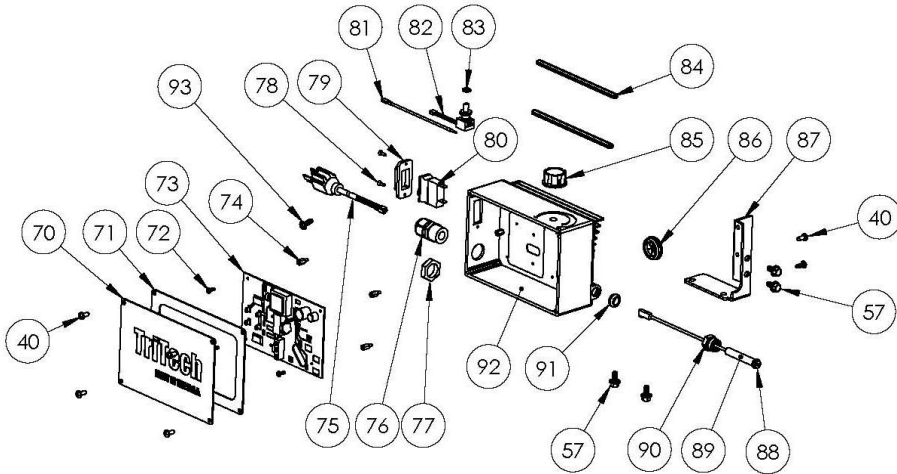
1. To replace transducer unthread transducer housing #30 from pump/filter manifold.
2. Remove mounting screws # 25.
3. Remove 4 screws for crank housing cover plate # 55.
4. With a flat blade screwdriver pry pump/filter manifold downward till it clears locating pins and slide forward but do not remove.
5. Remove 4 screws #40 and Control box cover plate #70.
6. Unplug transducer from circuit board. See diagram "B".
7. Guide transducer wire out of control box.
8. To replace guide replacement transducer through grommet #91 and reconnect to circuit board.
9. Thread transducer into pump/filter housing.
10. Replacement of transducer requires no calibration of pressure control. To ensure new transducer functions properly follow Start up procedure.



(B) MOTOR & GEARBOX

ITEM NO	PART NUMBER	DESCRIPTION	QTY
40	600-359	SCREW	11
41	600-0186	PLATE, REAR	1
42	600-426	COVER (INCL.40-41)	1
43	600-331	HANDLE	1
44	600-445	MOTOR 110V COMPLETE (INCL.45-49)	1
44	600-446	MOTOR 220V COMPLETE (INCL.45-49)	1
45	600-484	SCREW & WASHER	1
46	600-103	FAN	1
47	600-358	BAFFLE	1
48	600-451	BRUSH 110V (2)	1
48	600-452	BRUSH 220V (2)	1
49	600-453	CAPACITOR KIT 110V	1
49	600-454	CAPACITOR KIT 220V	1
50	600-178	GEAR, REDUCER	1
51	600-185	CRANKSHAFT	1
52	600-307	WASHER, THRUST	1
53	600-317	HOUSING, CRANK	1
54	600-316	BOLT	4
55	600-109	COVER, FRONT	1
56	600-0108	CONNECTING ROD	1
57	600-401	SCREW (CONTROL BOX TO GEARBOX)	2

(C) CONTROL BOX



ITEM NO	PART NO.	DESCRIPTION	QTY
40	600-359	SCREW	4
70	600-485	PLATE (INCL. 71)	1
71	600-417	GASKET	1
72	600-433	SCREW	4
73	600-363	CIRCUIT BOARD 110V	1
73	600-413	CIRCUIT BOARD 220v	1
74	600-421	SCREW,STAND-OFF	5
75	600-131	POWER CORD 110V	1
75	600-151	POWER CORD 220V	1
75	600-481	POWER CORD 110V UK	1
76	600-128	CORDGRIP, STRAIN RELIEF	1
77	600-129	LOCKNUT, STRAIN RELIEF	1
78	600-411	SCREW	2
79	600-122	COVER, SWITCH 110V	1
79	600-124	COVER, SWITCH 220V	1
80	600-121	SWITCH 110V	1
80	600-126	SWITCH 220V	1
81	600-366	WIRE, SWITCH TO BOARD	1
82	600-364	POTENTIOMETER	1
83	600-419	O-RING	1
84	600-264-1	EDGE MOUNT TOP	1
	600-264-2	EDGE MOUNT BOTTOM	1
85	600-123	KNOB	1
86	600-271	GROMMET, MOTOR	1
87	600-218	BRACKET	1
88	101-001	O-RING	2
89	600-456	TRANSDUCER (INCL.88,90)	1
90	600-030	HOUSING, TRANSDUCER	1
91	600-337	GROMMET, TRANSDUCER	1
92	600-434	BOX, CONTROL SHELL 110V	1
92	600-482	BOX, CONTROL SHELL 220V	1
93	600-519	SCREW, GROUND WIRE	1
	600-435	CONTROL BOX 110VCOMPLETE (INCL.40,72-93)	1
	600-448	CONTROL BOX 220VCOMPLETE (INCL.40,70-93)	1
	600-483	CONTROL BOX 110V UK COMPL. (INCL.40,70-93)	1

Diagram D

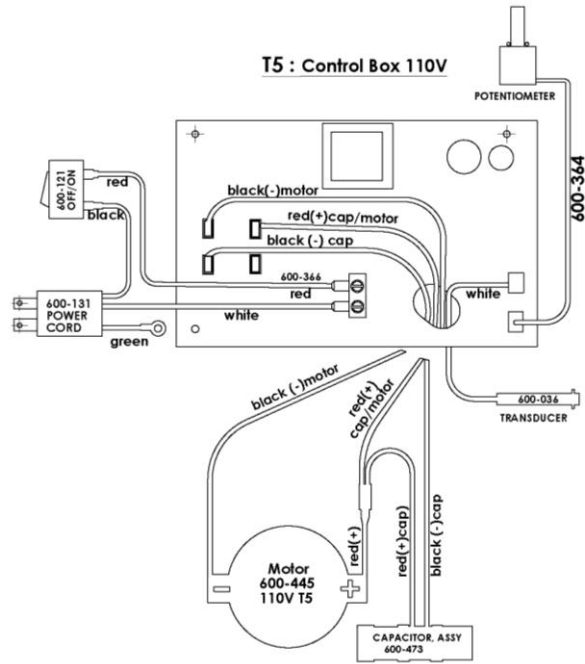
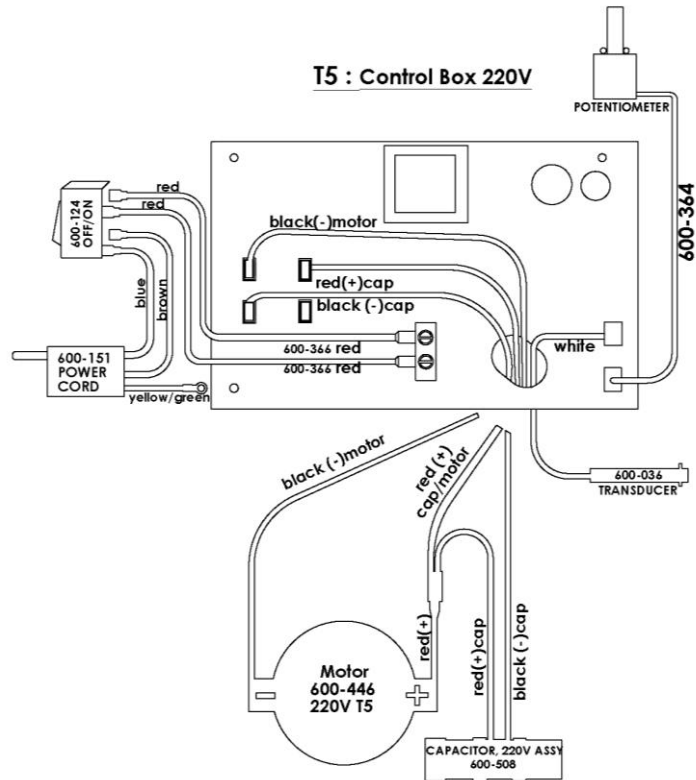


Diagram E



REPLACE CONTROL BOX

Follow pressure relief procedure before attempting to service or repair unit.

1. If trouble shooting guide suggests replacing the control box follow the directions below.
2. Remove 4 screws #40 and remove cover plate #70.
3. Unthread transducer from fluid manifold #9.
4. Disconnect motor and cap leads from circuit board. See Diagram "D/E"
5. Remove 2 mounting screws #57 from bracket #87. Unthread filter housing for easier access.
6. Remove control box containing circuit board, On/Off switch and potentiometer
7. Replace in reverse order. Note: By removing motor housing will make it easier to install control box.

Note: Although the Circuit board, transducer, On/Off switch and potentiometer are sold individually they are supplied together with replacement Control Box assembly.

REPLACE CIRCUIT BOARD

Follow pressure relief procedure before attempting to service or repair unit.

If trouble shooting guide suggests replacing the Circuit Board follow the directions below.

1. Remove 4 screws #40 and remove cover plate #70.
2. Disconnect Transducer #89 from circuit board. See diagram "D/E" and for below.
3. Disconnect the leads from potentiometer #82 to circuit board
4. Disconnect the leads from motor # 44 to the circuit board
5. Disconnect lead from On/Off switch #80 to circuit board.
6. Remove 4 screws #74 mounting Circuit Board.
7. Replace in reverse order.

Note: Make sure to wear surgical gloves when handling circuit board. They will reduce contaminants that may come in contact with the circuit board.

REPLACE POTENTIOMETER

Follow pressure relief procedure before attempting to service or repair unit.

If trouble shooting guide suggests replacing the potentiometer follow the directions below.

1. Remove 4 screws #40 and remove cover plate #70.
2. Disconnect the leads from potentiometer # 82 to circuit board and remove knob #85. Remove potentiometer # 82.
3. Replace in reverse order.

REPLACE TRANSDUCER

Follow pressure relief procedure before attempting to service or repair unit.

If trouble shooting guide suggests replacing the transducer follow the directions below.

4. Remove 4 screws #40 and remove cover plate #70.
5. Unplug the wire from #89 to circuit board.
6. Loosen housing #90 and with needle nose pliers slide transducer from filter manifold.
7. Remove 2 screws #57. Make sure to firmly hold control box in place.
8. Remove transducer by guiding the wire through the circuit board and out the back of the control box.
9. Install new transducer by sliding the wire through grommet #91 and guiding the wire through grommet #86 and continuing through the circuit board.
10. Connect transducer to the circuit board and reinstall screws #57.

11. With needle nose pliers slider transducer into filter manifold making sure o-ring #88 stays in place.
12. Tighten housing #90 and install cover plate #70 with 4 screws #40.

REPLACE ON/OFF SWITCH

Follow pressure relief procedure before attempting to service or repair unit.

If trouble shooting guide suggests replacing the on/off switch follow the directions below.

1. Remove 4 screws #40 and remove cover plate #70.
2. Disconnect the two leads from the on/off switch.
3. Remove mounting screws #78.
4. Remove switch indicator plate #79 and remove the on/off switch #80.
5. Replace in reverse order.

REPLACE MOTOR BRUSHES:

Follow pressure relief procedure before attempting to service or repair unit.

If trouble shooting guide suggests replacing the motor brushes follow the directions below.

1. Remove 3 screws #40 and remove cover #42.
2. Use a straight blade screwdriver to remove brush retaining cap to expose motor brushes.
3. Remove motor brushes #48 one at a time. Inspect. Replace if worn or damaged
4. Reassemble in reverse order. When reinstalling motor brushes make sure to have red and black wire leads to the back of the motor housing.

REPLACE MOTOR

Follow pressure relief procedure before attempting to service or repair unit.

If trouble shooting guide suggests replacing the motor follow the directions below.

1. Remove 3 screws #40 and remove motor cover #42.
2. Remove 4 screws #40 and remove cover plate #70.
3. Disconnect Black and Red cap/motor leads from circuit board #73. See diagram "D/E"
4. Remove 4 screws #40 and remove cover plate # 55.
5. Unthread Transducer housing # 90 and slide Transducer #89 back from Fluid Manifold.
6. Remove 4 screws #54 and remove crank housing and fluid manifold together.
7. Remove crankshaft #51 and thrust washer #52.
8. Remove reducer gear #50
9. Remove 2 screws # 57 from underneath. Leave 2 screws #57 that attach bracket #87 to control box #92.
10. Remove 4 screws #96 see diagram frame and siphon tubes and separate motor complete from frame.
11. Install reducer gear # 50 into gear box and rotate fan to insure armature shaft is engaged.
12. Install crankshaft and thrust washer #51, 52.
13. Fill gear box with # 2 lithium base grease.
14. Reconnect black and red cap/motor and transducer leads to circuit board in control box.
15. Complete reassemble in reverse order.

REPLACE GEARS/CONNECTING ROD

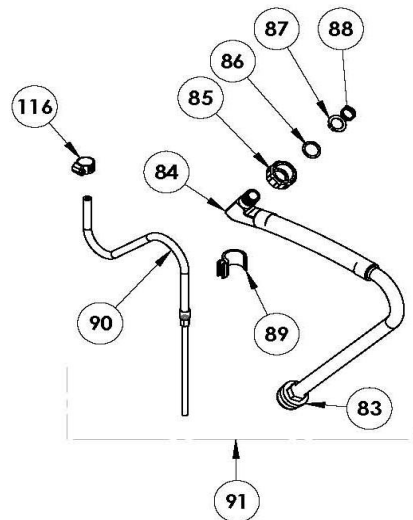
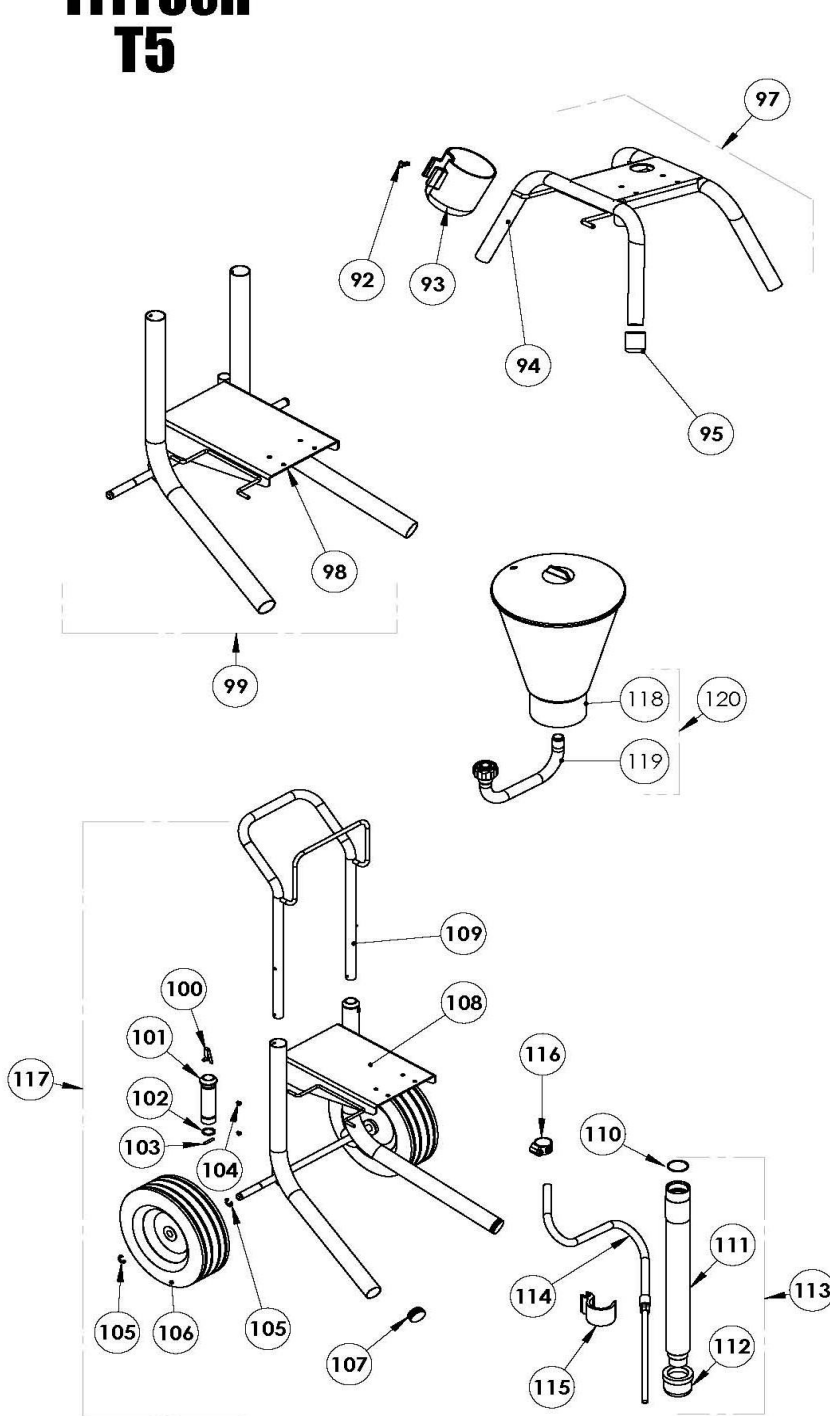
Follow pressure relief procedure before attempting to service or repair unit.

If trouble shooting guide suggests replacing the gears or connecting rod follow the directions below.

1. Remove 4 screws #40 and remove cover plate #55.
2. Remove 4 screws #40 and remove cover plate #70.
3. Remove 2 screws #25 and unthread transducer # 30 (see diagram "A") and remove pump/filter manifold.
4. Remove 4 screws # 54 then remove crank housing. Connecting rod can be replaced at this point.
5. The reducer gear #50 and crankshaft #51 can also be replaced at this point.
6. Complete reassemble in reverse order.

TriTech T5

FRAMES and SYPHON TUBES



ITEM N/O	PART NO.	DESCRIPTION	QTY
83	600-066	SCREEN	1
84	600-213	SYPHON HOSE ASSY	1
85	600-233	NUT	1
86	600-168	GASKET	1
87	600-236	SNAP RING	1
88	600-164	O-RING	2
89	600-442	CLIP, HOSE	1
90	600-212	PRESSURE RELIEF HOSE	1
91	600-221	SYPHON & PRESS. RELIEF HOSES	1
92	600-198	SCREW	1
93	600-385	CUP	1
94	600-215	STAND CART	4
95	600-398	FRAME CAP (STAND)	4
96	600-401	SCREW	4
97	600-407	STAND CART COMPLETE (INCL. 92-95)	1
98	600-429	LO CART BOTTOM FRAME	1
99	600-430	LO CART COMPLETE	1
100	600-391	SPRING PIN	2
101	600-378	HANDLE GUIDE	2
102	600-379	WASHER	2
103	600-381	PIN	2
104	600-382	SCREW	4
105	600-399	SNAP RING	4
106	600-373	WHEEL	2
107	600-397	FRAME CAP (CART)	2
108	600-389	HI CART BOTTOM FRAME	1
109	600-371	HANDLE	1
110	600-406	O-RING (HIGH CART ONLY)	1
111	600-396	DOWN TUBE (HC ONLY)	1
112	600-085-15	SCREEN 15 MESH (HC ONLY)	1
113	600-404	KIT, DOWN TUBE (INCL. 111-113)	1
114	600-512	PRESSURE RELIEF HOSE (HI CART)	1
115	600-471	CLIP (HI CART)	1
116	600-542	CLAMP, PRESSURE RELIEF HOSE	1
117	600-375	HI CART FRAME COMPLETE	1
118	600-553	HOPPER	1
119	600-539	TUBE, HOPPER	1
120	600-556	HOPPER KIT (INCL. 118-119)	1

Warranty

TriTech Industries Inc. warrants all equipment referenced in this manual which is manufactured by TriTech to be free from defects in material and workmanship on the date of sale to the original purchaser for use. With the exception of any special, extended, or limited warranty published by TriTech, TriTech will, for a period of twelve months from the date of Sale, repair or replace any part of the equipment determined by TriTech to be defective. This warranty applies only when the equipment is installed, operated and maintained in accordance with TriTech's written recommendations.

This warranty does not cover, and TriTech shall not be liable for general wear and tear, or any malfunction, damage or wear caused by faulty installation, misapplication, abrasion, corrosion, inadequate or improper maintenance, negligence, accident, tampering, or substitution of non-TriTech component parts. Nor shall TriTech be liable for malfunction, damage or wear caused by the incompatibility of TriTech equipment with structures, accessories, equipment or materials not supplied by TriTech, or the improper design, manufacture, installation, operation or maintenance of structures, accessories, equipment or materials not supplied by TriTech.

This warranty is conditioned upon the prepaid return of the equipment claimed to be defective to TriTech or an authorized TriTech distributor/service center for verification of the claimed defect. If the claimed defect is verified, TriTech will repair or replace free of charge any defective parts. The equipment will be returned to the original purchaser transportation prepaid. If inspection of the equipment does not disclose any defect in material or workmanship, repairs will be made at a reasonable charge, which charges may include the costs of parts, labor, and transportation.

THIS WARRANTY IS EXCLUSIVE, AND IS IN LIEU OF ANY OTHER WARRANTIES, EXPRESS OR IMPLIED, INCLUDING BUT NOT LIMITED TO WARRANTY OF MERCHANTABILITY OR WARRANTY OF FITNESS FOR A PARTICULAR PURPOSE.

TriTech's sole obligation and buyer's sole remedy for any breach of warranty shall be as set forth above. The buyer agrees that no other remedy (including, but not limited to, incidental or consequential damages for lost profits, lost sales, injury to person or property, or any other incidental or consequential loss) shall be available. Any action for breach of warranty must be brought within two (2) years of the date of sale.

TriTech MAKES NO WARRANTY, AND DISCLAIMS ALL IMPLIED WARRANTIES OF MERCHANTABILITY AND FITNESS FOR A PARTICULAR PURPOSE, IN CONNECTION WITH ACCESSORIES, EQUIPMENT, MATERIALS OR COMPONENTS SOLD BUT NOT MANUFACTURED BY TriTech. These items sold, but not manufactured by TriTech (such as electric motors, switches, hose, etc.), are subject to the warranty, if any, of their manufacturer. TriTech will provide purchaser with reasonable assistance in making any claim for breach of these warranties.

In no event will TriTech be liable for indirect, incidental, special or consequential damages resulting from TriTech supplying equipment hereunder, or the furnishing, performance, or use of any products or other goods sold hereto, whether due to a breach of contract, breach of warranty, the negligence of TriTech, or otherwise.

ADDITIONAL WARRANTY COVERAGE

TriTech may provide extended warranty and wear warranty for products described in the "TriTech Extended Warranty Program".